



HOSHIZAKI

Parts List

Low-Profile Modular Crescent Cuber

Models

KML-63 IMAH

KML-63 IMVH

KML-63 IMRH



hoshizakiamerica.com

Number: 71263
Issued: 5-1-2007
Revised: 12-15-2020

CONTENTS

Auxiliary Codes.....	3
Note About Ordering Parts	4
A. Main Assembly & Refrigeration Circuit	5
KML-631MAH.....	5
KML-631MWH.....	7
KML-631MRH.....	9
B. Water Circuit	11
C. Control Box Assembly	13
D. Accessories & Labels	16

Auxiliary Codes

KML-631MAH	R-0	August 2006	KML-631MRH	R-0	August 2006
	S-1	May 2007		S-1	May 2007
	S-2	December 2007		S-2	December 2007
	T-0	January 2008		T-0	February 2008
	U-0	January 2009		U-0	January 2009
	U-1	July 2009		U-1	July 2009
	V-0	January 2010		V-0	January 2010
	V-1	July 2010		V-1	July 2010
	A-0	January 2011		A-1	September 2011
	A-1	September 2011		B-0	January 2012
	B-0	January 2012		C-0	January 2013
	B-1	December 2012		C-1	July 2013
	C-0	January 2012		D-0	January 2014
	C-1	July 2013		D-1	October 2014
	D-0	January 2014		E-0	January 2015
	E-0	January 2015		F-0	February 2016
	F-0	January 2016		G-0	January 2017
	G-0	January 2017			
KML-631MWH	R-0	August 2006			
	S-0	November 2007			
	T-0	February 2008			
	U-0	March 2009			
	U-1	July 2009			
	V-0	January 2010			
	V-1	July 2010			
	A-0	January 2011			
	A-1	September 2011			
	B-0	February 2012			
	C-0	January 2013			
	C-1	July 2013			
	D-0	January 2014			
	E-0	January 2015			
	F-0	February 2016			
	G-0	January 2017			

Auxiliary Code Breakdown

The auxiliary code is the first two characters in the serial number. The first character indicates the year. Years progress or regress in alphabetical order. The series runs from "A" through "V" and the letters "I" and "O" are skipped. The second character indicates significant part changes within a year. Base is "0" and this number advances for each change. In cases where there is a letter in parentheses, this designates the month. This is the last character in the serial number. The series runs from "(A)" through "(M)" and the letter "(I)" is skipped. This designation is only included when identifying a parts change within an auxiliary code.

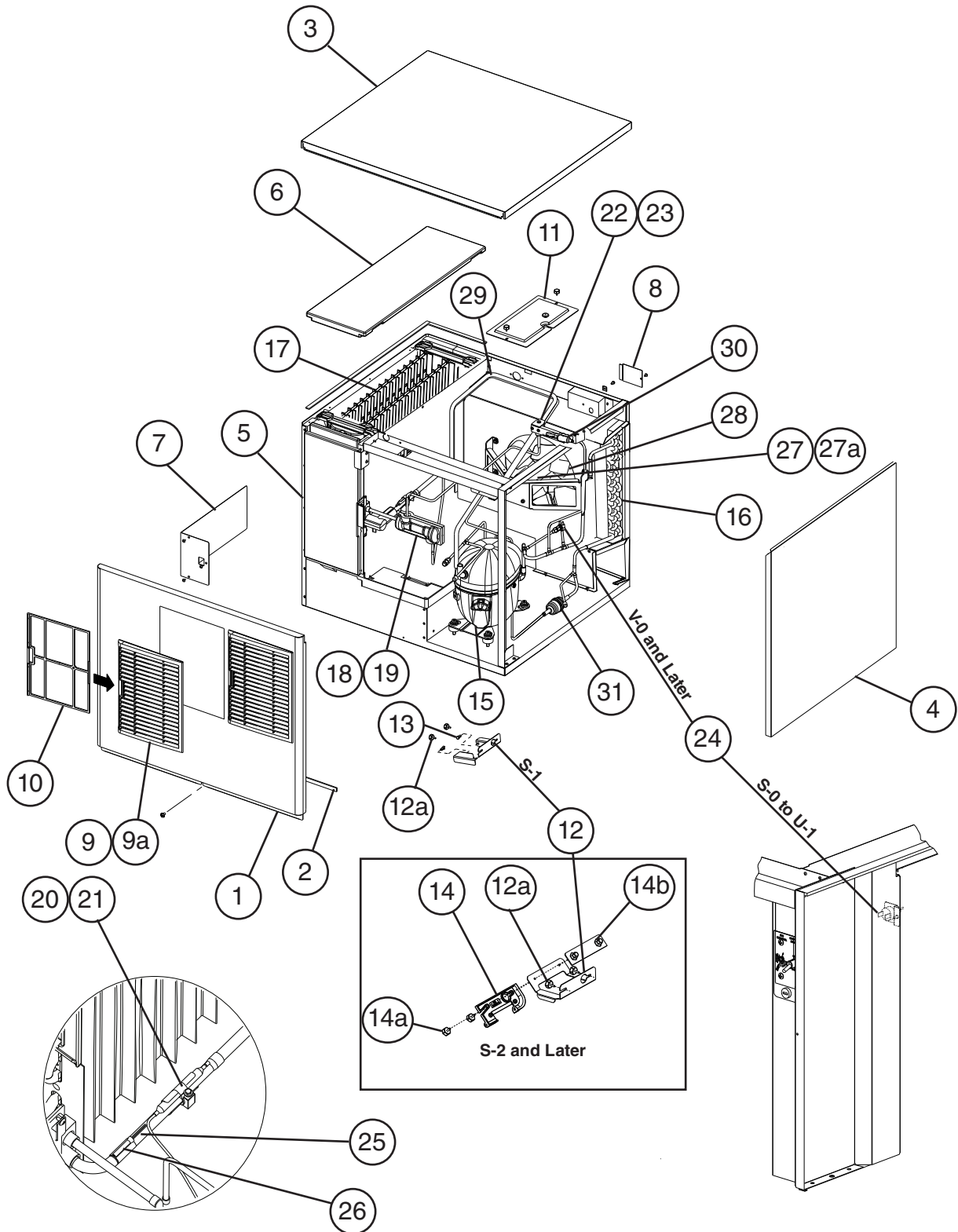
Note About Ordering Parts

Most assemblies cannot be ordered as complete units; parts in the assemblies generally must be ordered separately.

A. Main Assembly & Refrigeration Circuit

KML-631MAH

R-0 to G-0

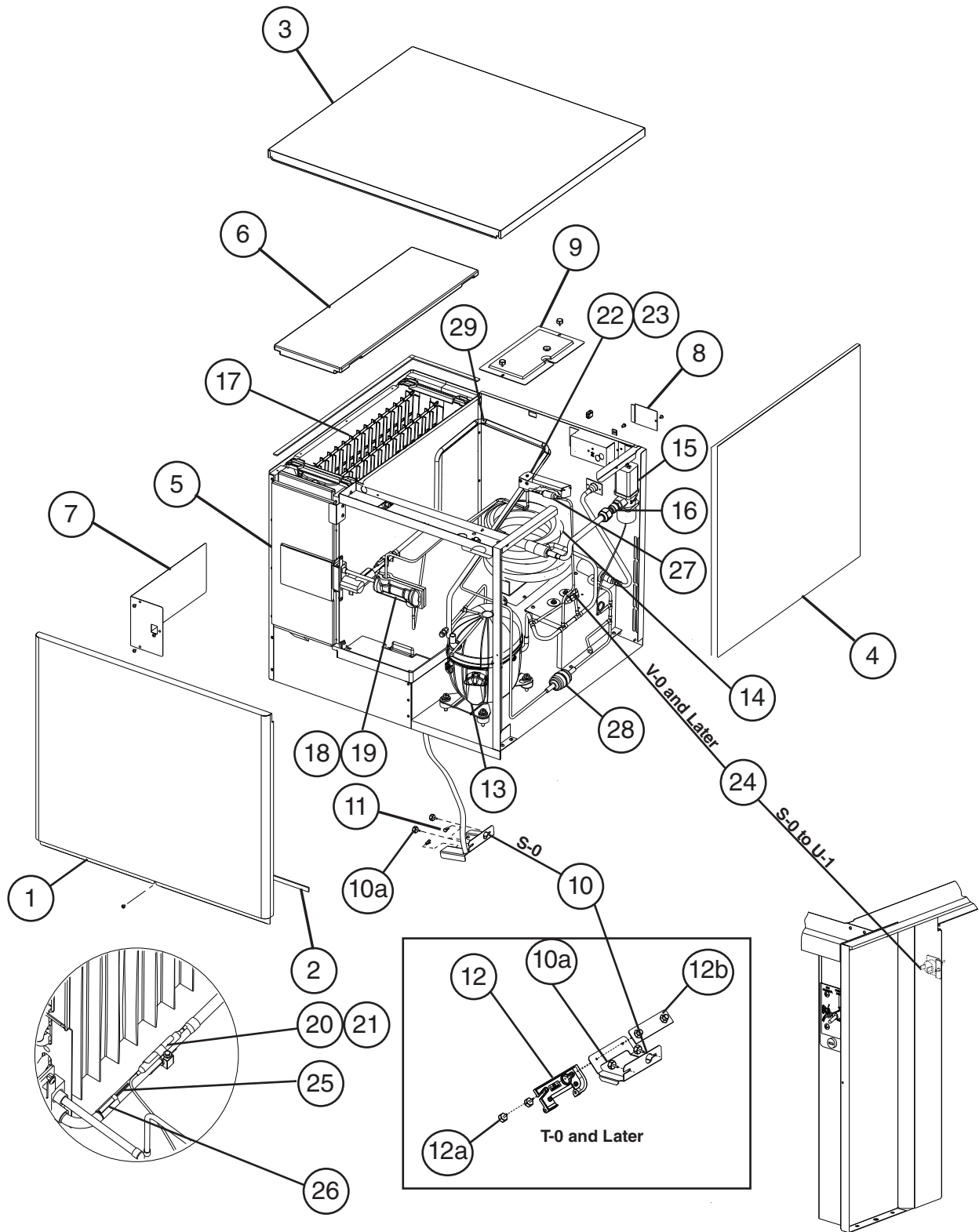


Title: A. Main Assembly & Refrigeration Circuit Model: KML-631MAH												
Index No.	Description	Material or Model Number	Part Number	Required Number								
				R-0 to S-1	S-2 to U-1	V-0 to C-0	C-1 to G-0					
Main Assembly												
1	Front Panel		3A4001A01	1	1	1	1					
2	Gasket		4A0808L02	1	1	1	1					
3	Top Panel		3A1862A01	1	1	1	1					
4	Right Side Panel		2A2114G01	1	1	1	1					
5	Front Insulation		2A0664G02	1	1	1	1					
6	Top Insulation		215730G01	1	1	1	1					
7	Control Box Cover		3A2371-01	1	1	1	1					
8	Junction Box Cover		433410-01	1	1	1	1					
9	Louver		1A0548-01	2	2	2	2					
9a	Push Retainer		4A2414-01	6	6	6	6					
10	Air Filter		2A2063G01	2	2	2	2					
11	Bin Control Cover		3A0664G01	1	1	1	1					
12	Bin Control Thermostat Extension Bracket		4A3436-01	1	-							
			4A4358-01		1	1	1					
12a	Thumbscrew		415949G10	2	2	2	2					
13	Spacer		443545-01	2	-							
14	Bin Control Bulb Holder		3A3903-01		1	1	1					
14a	Thumbscrew		415949G11		2	2	2					
14b	NSF Plate		4A4401G01		1	1	1					
Refrigeration Circuit												
15	Compressor		4A4066-01	1	1	1	-					
			3A6900-01				1					
16	Condenser		1A1245-01	1	1	1	1					
17	Evaporator		106492G01	1	1	1	-					
			1A2322G01				1					
18	Thermostatic Expansion Valve		4A1482-01	1	1	1	1					
19	Thermostatic Expansion Valve Cover		3A0944-01	1	1	1	1					
20	Thermostatic Expansion Valve Bulb Holder		3A0107-01	1	1	1	1					
21	Clamp		443461-02	1	1	1	1					
22	Hot Gas Valve Body		4A3978-01	1	1	1	1					
23	Valve Coil		4A3277-01	1	1	1	1					
24	High-Pressure Switch		433441-07	1	1	-						
			463180-04			1	1					
25	Thermistor		429006-03	1	1	1	1					
26	Thermistor Holder		427430-01	1	1	1	1					
27	Fan Motor		4A3158-01	1	1	1	1					
27a	Self-Locking Nut		7N2110832	4	4	4	4					
28	Fan Blade		4A4014-01	1	1	1	1					
29	Heat Exchanger		2A3876G01	1	1	-						
			2A5327G01			1	-					
			1A2973G01				1					
30	Strainer		441569-02	1	1	1	1					
31	Drier		4A2666-01	1	1	1	1					

A. Main Assembly & Refrigeration Circuit

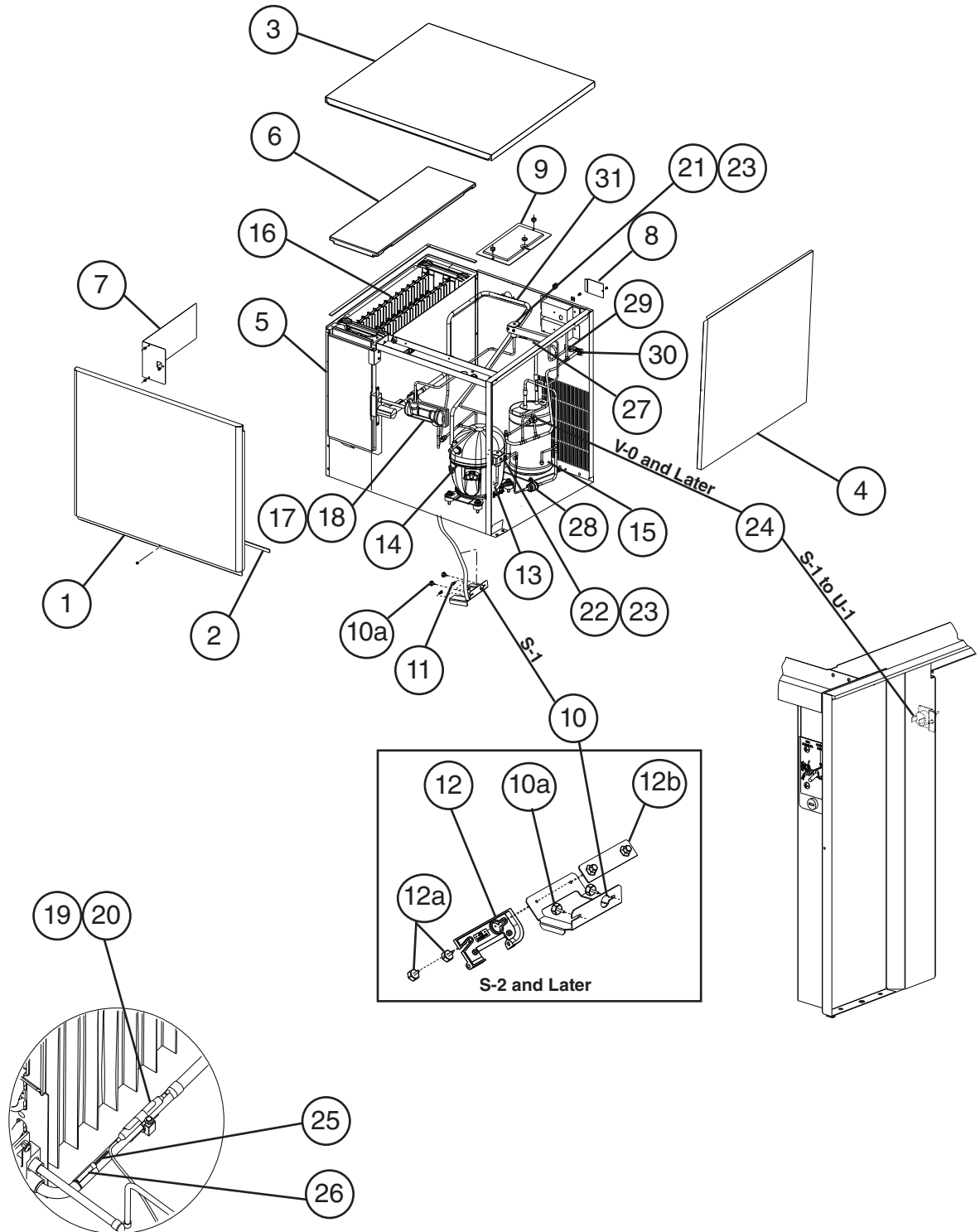
KML-631MWH

R-0 to G-0



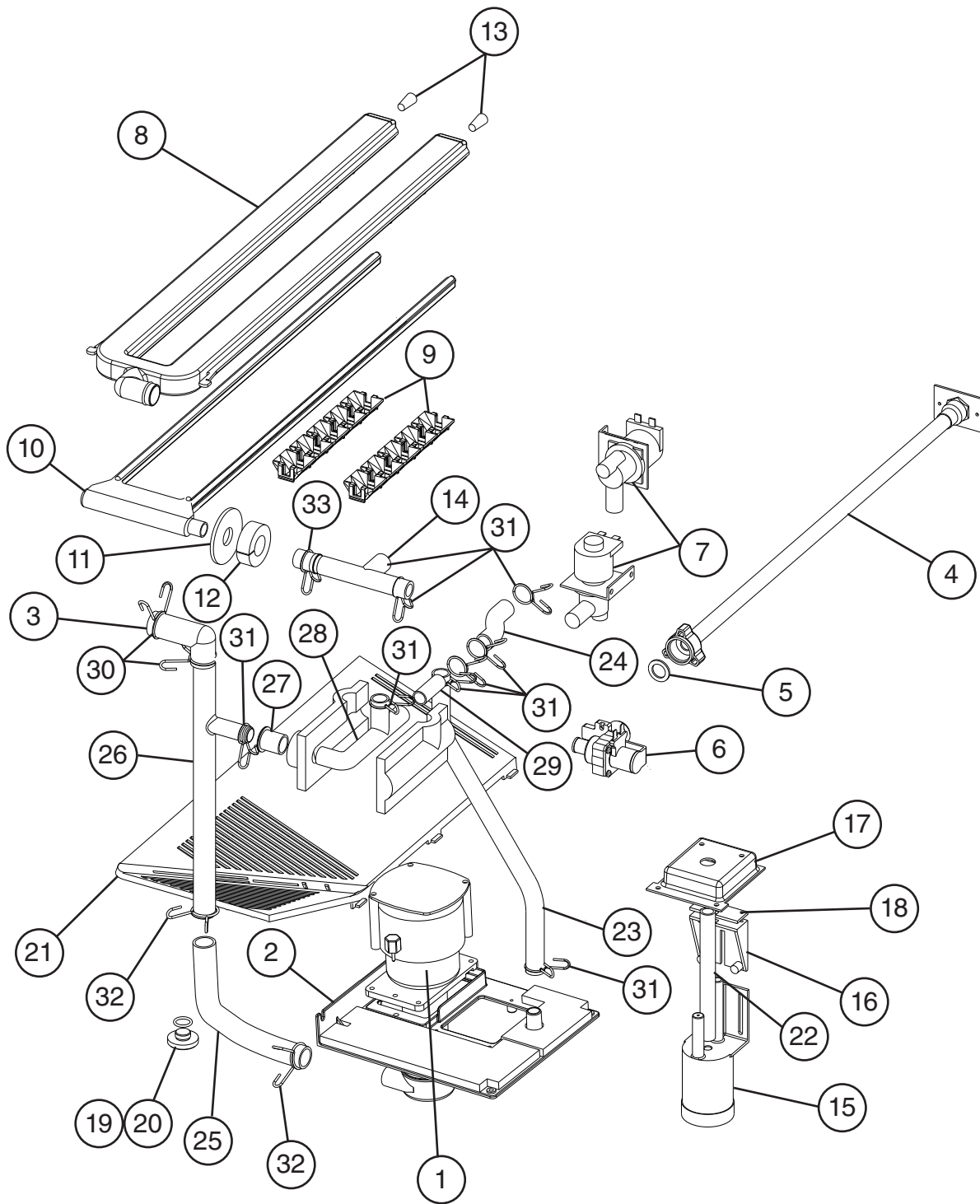
Title: A. Main Assembly & Refrigeration Circuit Model: KML-631MWH												
Index No.	Description	Material or Model Number	Part Number	Required Number								
				R-0 to S-0	T-0 U-1	V-0 to C-0	C-1 to G-0					
Main Assembly												
1	Front Panel		3A4001A02	1	1	1	1					
2	Gasket		4A0808L02	1	1	1	1					
3	Top Panel		3A1862A01	1	1	1	1					
4	Right Side Panel		2A2114G01	1	1	1	1					
5	Front Insulation		2A0664G02	1	1	1	1					
6	Top Insulation		215730G01	1	1	1	1					
7	Control Box Cover		3A2371-01	1	1	1	1					
8	Junction Box Cover		433410-01	1	1	1	1					
9	Bin Control Cover		3A0664G01	1	1	1	1					
10	Bin Control Thermostat Extension Bracket		4A3436-01	1	-							
			4A4358-01		1	1	1					
10a	Thumbscrew		415949G10	2	2	2	2					
11	Spacer		443545-01	2	-							
12	Bin Control Bulb Holder		3A3903-01		1	1	1					
12a	Thumbscrew		415949G11		2	2	2					
12b	NSF Plate		4A4401G01		1	1	1					
Refrigeration Circuit												
13	Compressor		4A4066-01	1	1	1	-					
			3A6900-01				1					
14	Condenser		2A2359G03	1	1	1	-					
			3A7323-01				1					
15	Water Regulating Valve		4A0911-07	1	1	1	1					
16	Male Connector		4A1087-01	1	1	1	1					
17	Evaporator		106492G01	1	1	1	-					
			1A2322G01				1					
18	Thermostatic Expansion Valve		4A1482-01	1	1	1	1					
19	Thermostatic Expansion Valve Cover		3A0944-01	1	1	1	1					
20	Thermostatic Expansion Valve Bulb Holder		3A0107-01	1	1	1	1					
21	Clamp		443461-02	1	1	1	1					
22	Hot Gas Valve Body		4A3978-01	1	1	1	1					
23	Valve Coil		4A3277-01	1	1	1	1					
24	High-Pressure Switch		433441-05	1	1	-						
			463180-05			1	1					
25	Thermistor		429006-03	1	1	1	1					
26	Thermistor Holder		427430-01	1	1	1	1					
27	Strainer		441569-02	1	1	1	1					
28	Drier		4A2666-01	1	1	1	1					
29	Heat Exchanger		2A3876G01	1	1	-						
			2A5327G01			1	-					
			1A2973G01				1					

A. Main Assembly & Refrigeration Circuit
KML-631MRH
 R-0 to G-0



Title: A. Main Assembly & Refrigeration Circuit Model: KML-631MRH													
Index No.	Description	Material or Model Number	Part Number	Required Number									
				R-0 S-1	S-2 U-1	V-0 to C-0	C-1 to G-0						
Main Assembly													
1	Front Panel		3A4001A02	1	1	1	1						
2	Gasket		4A0808L02	1	1	1	1						
3	Top Panel		3A1862A01	1	1	1	1						
4	Right Side Panel		2A2114G01	1	1	1	1						
5	Front Insulation		2A0664G02	1	1	1	1						
6	Top Insulation		215730G01	1	1	1	1						
7	Control Box Cover		3A2371-01	1	1	1	1						
8	Junction Box Cover		433410-01	2	2	2	2						
9	Bin Control Cover		3A0664G01	1	1	1	1						
10	Bin Control Thermostat Extension Bracket		4A3436-01	1	-								
			4A4358-01			1	1						
10a	Thumbscrew		415949G10	2	2	2	2						
11	Spacer		443545-01	2	-								
12	Bin Control Bulb Holder		3A3903-01		1	1	1						
12a	Thumbscrew		415949G11		2	2	2						
12b	NSF Plate		4A4401G01		1	1	1						
Refrigeration Circuit													
13	Compressor		4A4066-01	1	1	1	-						
			3A6900-01				1						
14	Crankcase Heater		434924-01	1	1	1	-						
			4A5091-01				1						
15	Receiver		437652-01	1	1	1	1						
16	Evaporator		106492G01	1	1	1	-						
			1A2322G01				1						
17	Thermostatic Expansion Valve		4A1482-01	1	1	1	1						
18	Thermostatic Expansion Valve Cover		3A0944-01	1	1	1	1						
19	Thermostatic Expansion Valve Bulb Holder		3A0107-01	1	1	1	1						
20	Clamp		443461-02	1	1	1	1						
21	Hot Gas Valve Body		4A3978-01	1	1	1	1						
22	Liquid Line Valve Body		4A3276-01	1	1	1	1						
23	Valve Coil		4A3277-01	2	2	2	2						
24	High-Pressure Switch		433441-07	1	1	-							
			463180-04			1	1						
25	Thermistor		429006-03	1	1	1	1						
26	Thermistor Holder		427430-01	1	1	1	1						
27	Strainer		441569-02	1	1	1	1						
28	Drier		4A2666-01	1	1	1	1						
29	Liquid Line Coupling		433751G01	1	1	1	1						
30	Discharge Line Coupling		434136G01	1	1	1	1						
31	Heat Exchanger		2A3876G02	1	1	-							
			2A5327G02			1	-						
			1A2973G02				1						

B. Water Circuit
KML-631M_H
R-0 to G-0



Title: B. Water Circuit Model: KML-631M_H

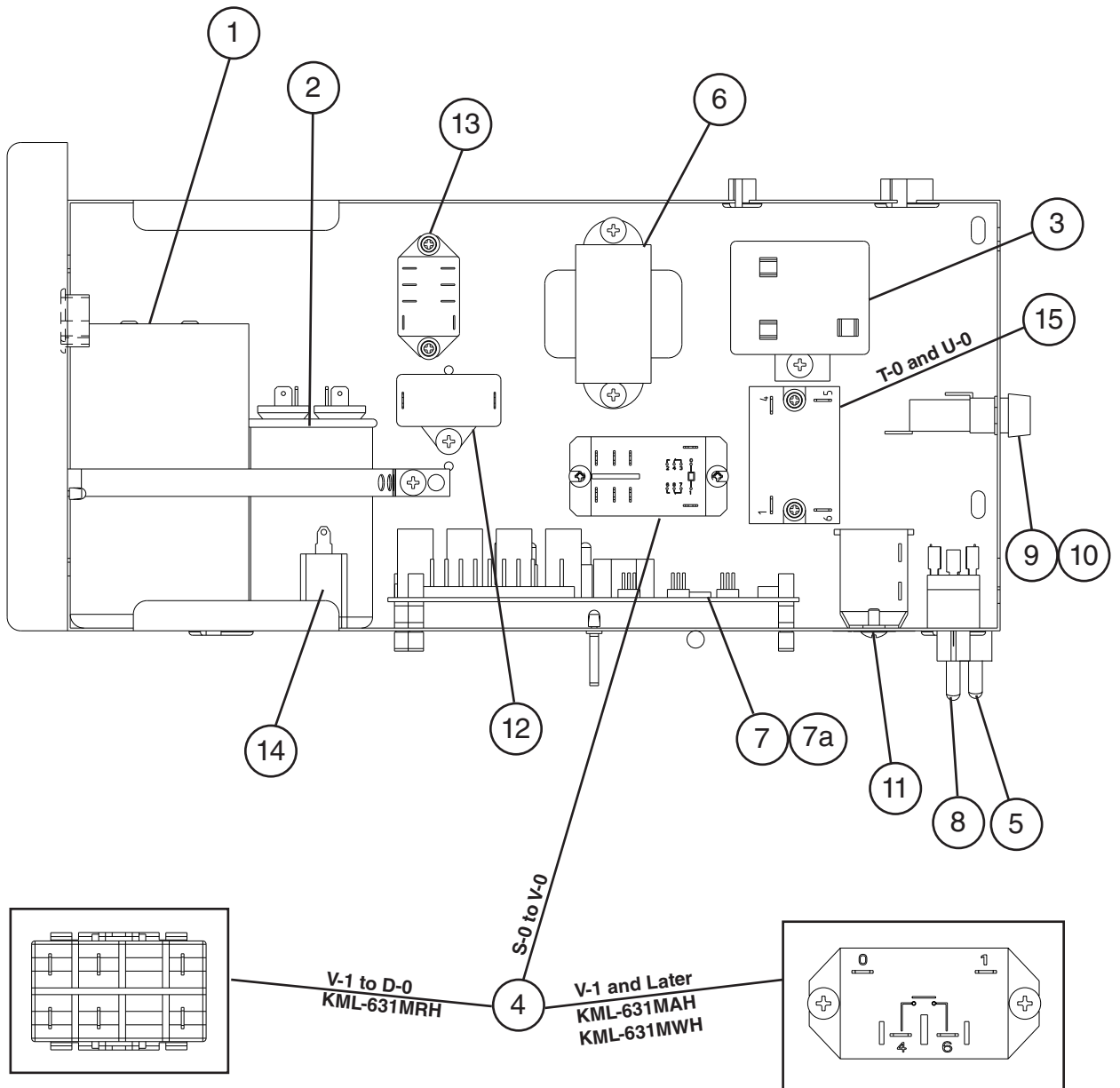
Index No.	Description	Material or Model Number	Part Number	Required Number								
				R-0 to S-1	S-2	T-0 U-0	U-1 to A-0	A-1 to C-0	C-1 to G-0			
1	Pump Motor		2A2861-01	1	1	-						
			2A4408-01			1	-					
			4A4259-01				1	1	1			
2	Pump Motor Bracket		2A4920G01				1	1	1			
3	Elbow		4A0393-01	1	1	1	1	1	1			
4	Water Supply Pipe		4A0768G04	1	1	1	1	1	1			
5	Rubber Gasket		413854-03	1	1	1	1	1	1			
6	Inlet Water Valve		3U0111-04	1	1	1	1	1	-			
			3U0111-03						1			
7	Solenoid Valve (Drain and Cleaning Valve)		439322-01	2	-							
			4A3722-01		2	2	2	2	2			
8	Spray Tube		1A0260-02	1	1	1	1	1	1			
9	Spray Guide		208586-01	6	6	6	6	6	-			
			2A4282-02						2			
10	Water Supply Tube		2A0079-01	1	1	1	1	1	1			
11	Flange		439267-01	1	1	1	1	1	1			
12	Insulation E		4A0892-01	1	1	1	1	1	1			
13	Plug		4A0176-01	2	2	2	2	2	2			
14	Water Supply Tee		4A1006-01	1	1	1	1	1	1			
15	Float Switch		4A3624-01	1	1	1	1	1	1			
16	Float Switch Bracket		327757-01	1	1	1	1	1	1			
17	Float Switch Cover		3A0665-01	1	1	1	1	1	1			
18	Float Switch Spacer		4A0650-01	1	1	1	1	1	1			
19	Drain Plug		309246-01	1	1	1	1	1	1			
20	O-Ring		7611-P015	1	1	1	1	1	1			
21	Cube Guide		2A0660-01	1	1	1	1	1	1			
22	Vinyl Hose	L=150 mm	7716-1216	1	1	1	1	1	1			
23	Vinyl Hose	L=415 mm	7716-1519	1	1	1	1	1	1			
24	Vinyl Hose	L=55 mm	7716-1519	1	1	1	1	1	1			
25	Pump Hose		4A1007-01	1	1	1	-					
	Vinyl Hose	L=245 mm	7716-2025				1	-				
	Hose B		325867-01					1	1			
26	Connecting Pipe		3A1335-02	1	1	1	1	1	1			
27	Rubber Ring		4A1004-01	1	1	1	1	1	1			
28	Bypass Hose		4A1005-01	1	1	1	1	1	1			
29	Joint Pipe		439329-01	1	1	1	1	1	1			
30	Hose Clamp	25 mm	427443-03	2	2	2	2	2	2			
31	Hose Clamp	18 mm	427443-05	9	9	9	9	9	9			
32	Hose Clamp	27 mm	427443-08	2	2	2	2	2	2			
33	Hose Clamp	20 mm	427443-06	1	1	1	1	1	1			

C. Control Box Assembly

KML-631M_H

1/2

R-0 to C-0



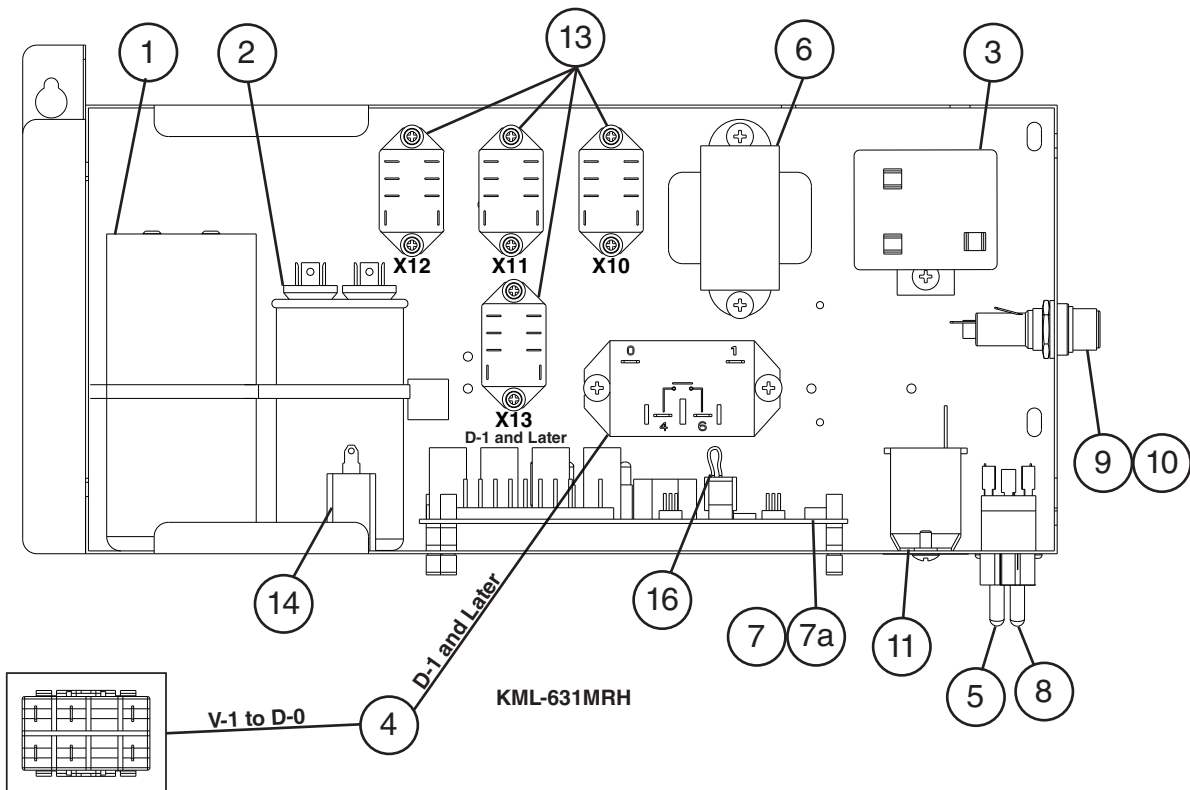
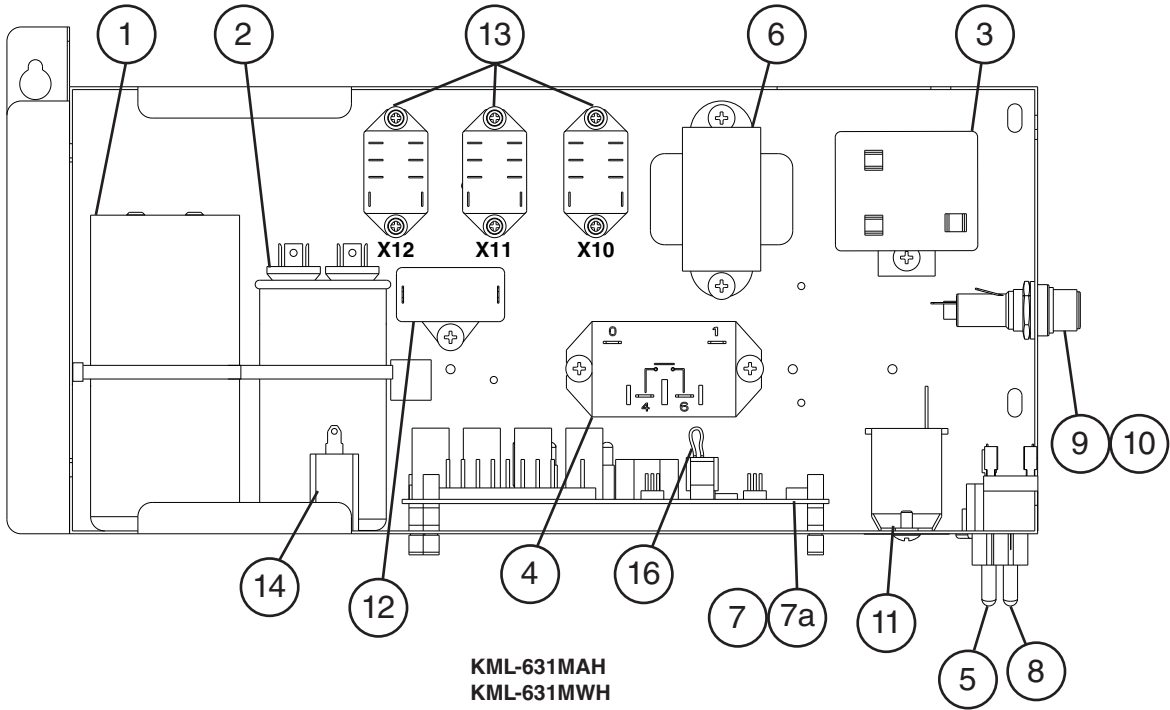
C. Control Box Assembly

KML-631M_H

2/2

C-1 to G-0

- X10 - Pump Motor Relay
- X11 - Inlet Water Valve Relay
- X12 - Service Relay
- X13 - Crankcase Heater Relay (**KML-631MRH**)

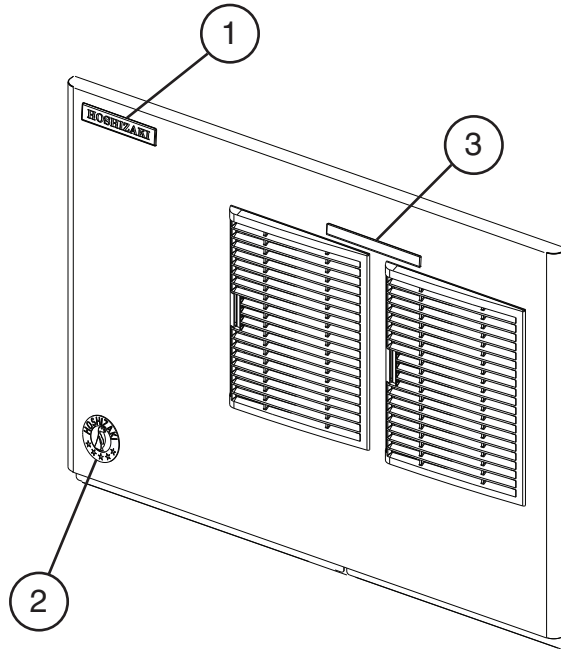


Title: C. Control Box Assembly Model: KML-631M_H													
Index No.	Description	Material or Model Number	Part Number	Required Number									
				R-0 to S-2	T-0 U-0	U-1 V-0	V-1 to B-0	B-1 to C-0	C-1 to D-0	D-1 to G-0			
1	Start Capacitor	145-175MFD, 250VAC	3A0076-01	1	1	1	1	1	-				
		108-130MFD, 330VAC	3A0076-22						1	1			
2	Run Capacitor	25MFD, 440VAC	3A2005-03	1	1	1	1	1	-				
			3A2005-10						1	1			
3	Start Relay		4A1107-09	1	1	1	1	1	-				
			4A1107-07						1	1			
4	Magnetic Contactor	ALL	428393-01	1	1	1	-						
	Compressor Relay	KML-631MAH KML-631MWH	4A3140-01				1	1	1	1			
		KML-631MRH	4A5096-01				1	1	1	-			
			4A3140-01							1			
5	Service Switch		4A0985-01	1	1	1	1	1	1	1	1		
6	Control Transformer		3A0172-01	1	1	1	1	1	1	1	1		
7	Control Board	"E" Board	2A1410-01	1	1	1	1	-					
		"G" Board	2A3792-01						1	1	1		
7a	Control Board Support		4A0336-03	4	4	4	4	4	4	4	4		
8	Control Switch		443119-01	1	1	1	1	1	1	1	1		
9	Fuse Holder		4A5443-01	1	1	1	1	1	1	1	1		
10	Fuse	AGC-10A, 250VAC	4A0893-07	1	1	1	1	1	1	1	1		
11	Bin Control Thermostat		4A2879-01	1	1	1	1	1	1	1	1		
12	Fan Motor Capacitor	KML-631MAH 5.0MFD, 250VAC	443192-02	1	1	1	1	1	1	1	1		
13	Relay (X10 = Pump Motor Relay, X11 = Inlet Water Valve Relay, X12 = Service Relay)	All Models	406132-07	1	1	1	1	1	3	3			
	Relay (X13 = Crankcase Heater Relay)	KML-631MRH									1		
14	Pump Motor Capacitor	2.5MFD, 250VAC	4A2128-05			1	1	1	1	1			
15	Pump Motor Relay	120VAC	4A1307-01		1	-							
16	Jumper Connector		4A4883G01	1	1	1	1	1	1	1	1		

D. Accessories & Labels

KML-631M_H

R-0 to G-0



Title: D. Accessories & Labels		Model: KML-631M_H		Required Number							
Index No.	Description	Material or Model Number	Part Number	R-0	D-0						
				to D-0 (H)	(J) to G-0						
1	Hoshizaki Emblem		4A0560-01	1	1						
2	Penguin Label		475552L02	1	1						
3	Air Filter	KML-631MAH	426177-01	1	-						
4	Universal Brace	GS	4A0363-01	2	2						
4a	Hex Head Bolt	5x12, SS	7B02-0512	2	2						