



HOSHIZAKI

Parts List

Low-Profile Modular Crescent Cuber

Models

KML-700MAJ

KML-700MWJ

KML-700MRJ



hoshizakiamerica.com

Number: 71379
Issued: 4-4-2017
Revised: 7-17-2020

CONTENTS

Auxiliary Codes.....	3
Note About Ordering Parts	3
A. Main Assembly & Refrigeration Circuit	4
KML-700MAJ.....	4
KML-700MWJ.....	6
KML-700MRJ.....	8
B. Water Circuit	10
C. Control Box Assembly	12
D. Accessories & Labels	14

Auxiliary Codes

KML-700MAJ

F-0 September 2016
G-0 March 2017
G-1 September 2017
H-0 January 2018
J-0 January 2019
J-1 December 2019
K-0 January 2020

KML-700MWJ

F-0 September 2016
G-0 March 2017
G-1 September 2017
H-0 January 2018
J-0 February 2019
J-1 December 2019
K-0 January 2020

KML-700MRJ

F-0 September 2016
G-0 March 2017
G-1 September 2017
H-0 May 2018
J-0 January 2019
J-1 May 2019
J-0 July 2019
K-0 January 2020

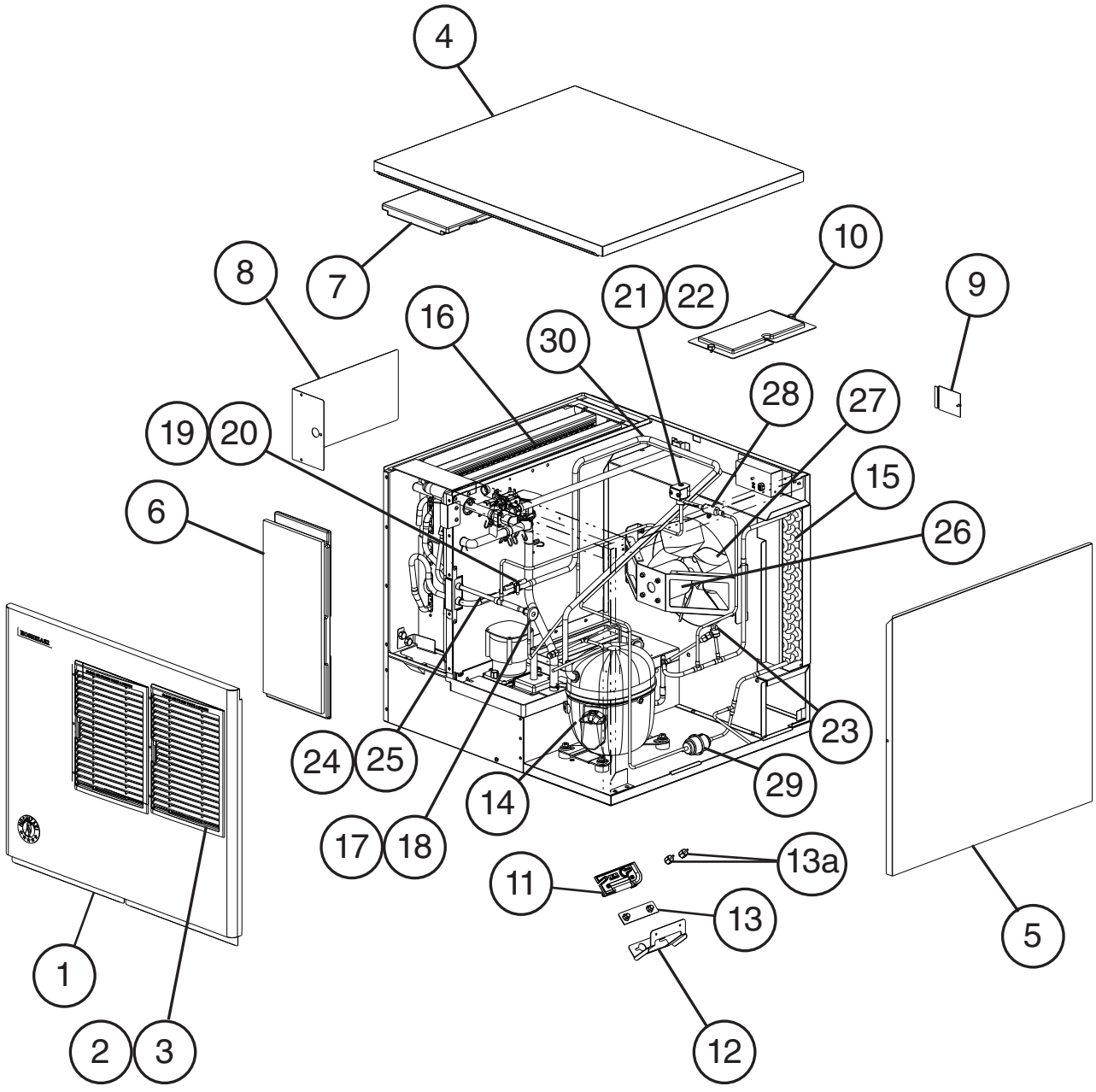
Auxiliary Code Breakdown

The auxiliary code is the first two characters in the serial number. The first character indicates the year. Years progress or regress in alphabetical order. The series runs from "A" through "V" and the letters "I" and "O" are skipped. The second character indicates significant part changes within a year. Base is "0" and this number advances for each change. In cases where there is a letter in parentheses, this designates the month. This is the last character in the serial number. The series runs from "(A)" through "(M)" and the letter "(I)" is skipped. This designation is only included when identifying a parts change within an auxiliary code.

Note About Ordering Parts

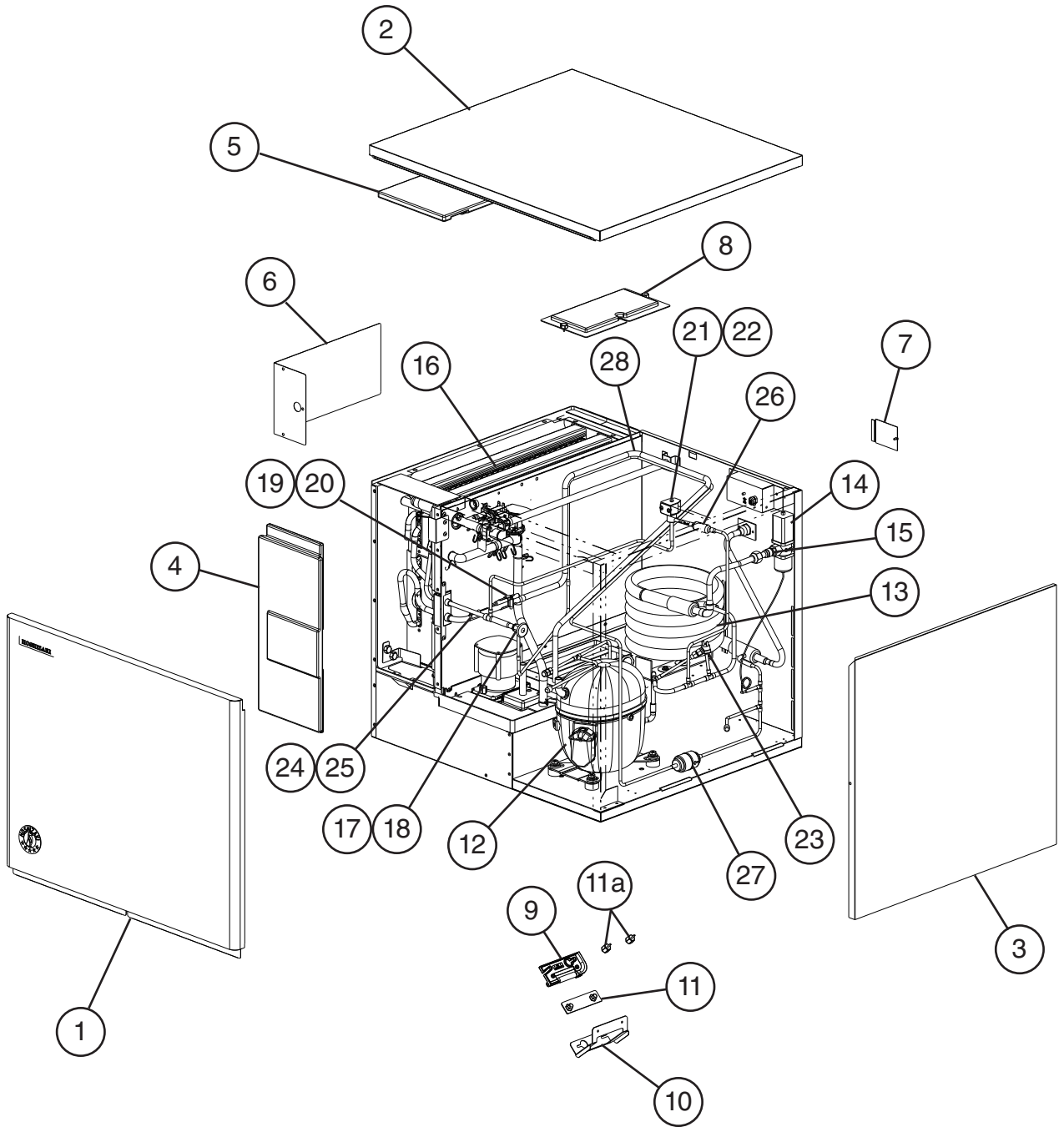
Most assemblies cannot be ordered as complete units; parts in the assemblies generally must be ordered separately.

A. Main Assembly & Refrigeration Circuit
KML-700MAJ
F-0 to K-0



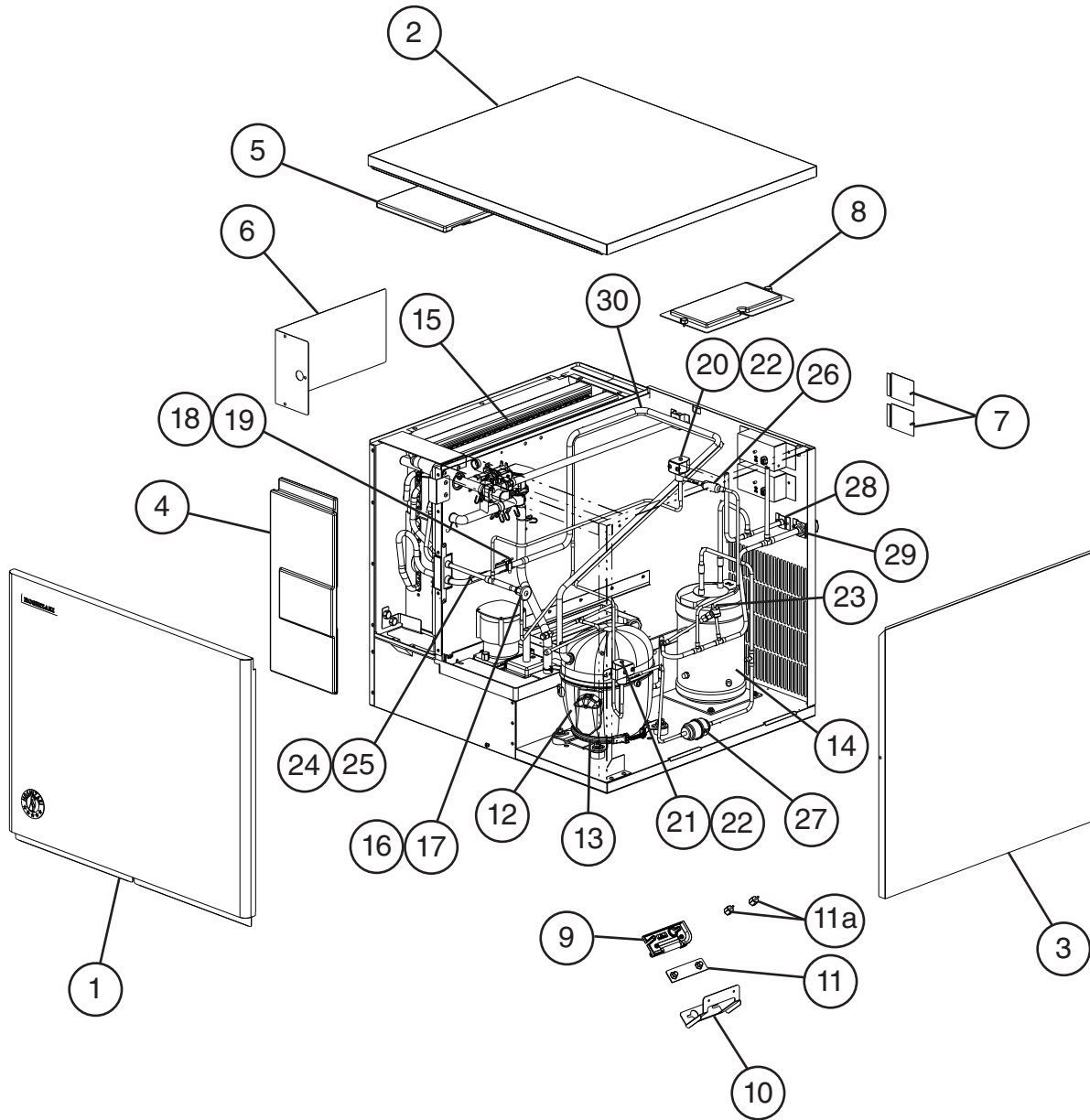
Title: A. Main Assembly & Refrigeration Circuit Model: KML-700MAJ													
Index No.	Description	Material or Model Number	Part Number	F-0 to K-0	Required Number								
Main Assembly													
1	Front Panel		3A4001A01	1									
2	Louver		1A0548-01	2									
3	Air Filter		2A2063G01	2									
4	Top Panel		3A1862A01	1									
5	Right Side Panel		2A2114G01	1									
6	Front Insulation		2A0664G02	1									
7	Top Insulation		215730G01	1									
8	Control Box Cover		3A9007-01	1									
9	Junction Box Cover		433410-01	1									
10	Bin Control Cover		3A0664G01	1									
11	Bin Control Bulb Holder		3A3903-01	1									
12	Bin Control Thermostat Extension Bracket		4A4358-01	1									
13	NSF Plate		4A4401G01	1									
13a	Thumbscrew		415949G10	2									
Refrigeration Circuit													
14	Compressor		4A5669-01	1									
15	Condenser		1A1245-01	1									
16	Evaporator		1A3956G01	1									
17	Thermostatic Expansion Valve		4A1482-01	1									
18	Thermostatic Expansion Valve Cover		3A0944-01	1									
19	Thermostatic Expansion Valve Bulb Holder		3A0107-01	1									
20	Clamp		443461-02	1									
21	Hot Gas Valve Body		4A3978-01	1									
22	Valve Coil		4A3277-01	1									
23	High-Pressure Switch		463180-04	1									
24	Thermistor		429006-03	1									
25	Thermistor Holder		427430-01	1									
26	Fan Motor		4A3158-01	1									
27	Fan Blade		4A3959-01	1									
28	Strainer		441569-02	1									
29	Drier		4A1113-01	1									
30	Heat Exchanger		1A2973G01	1									

A. Main Assembly & Refrigeration Circuit
KML-700MWJ
F-0 to K-0



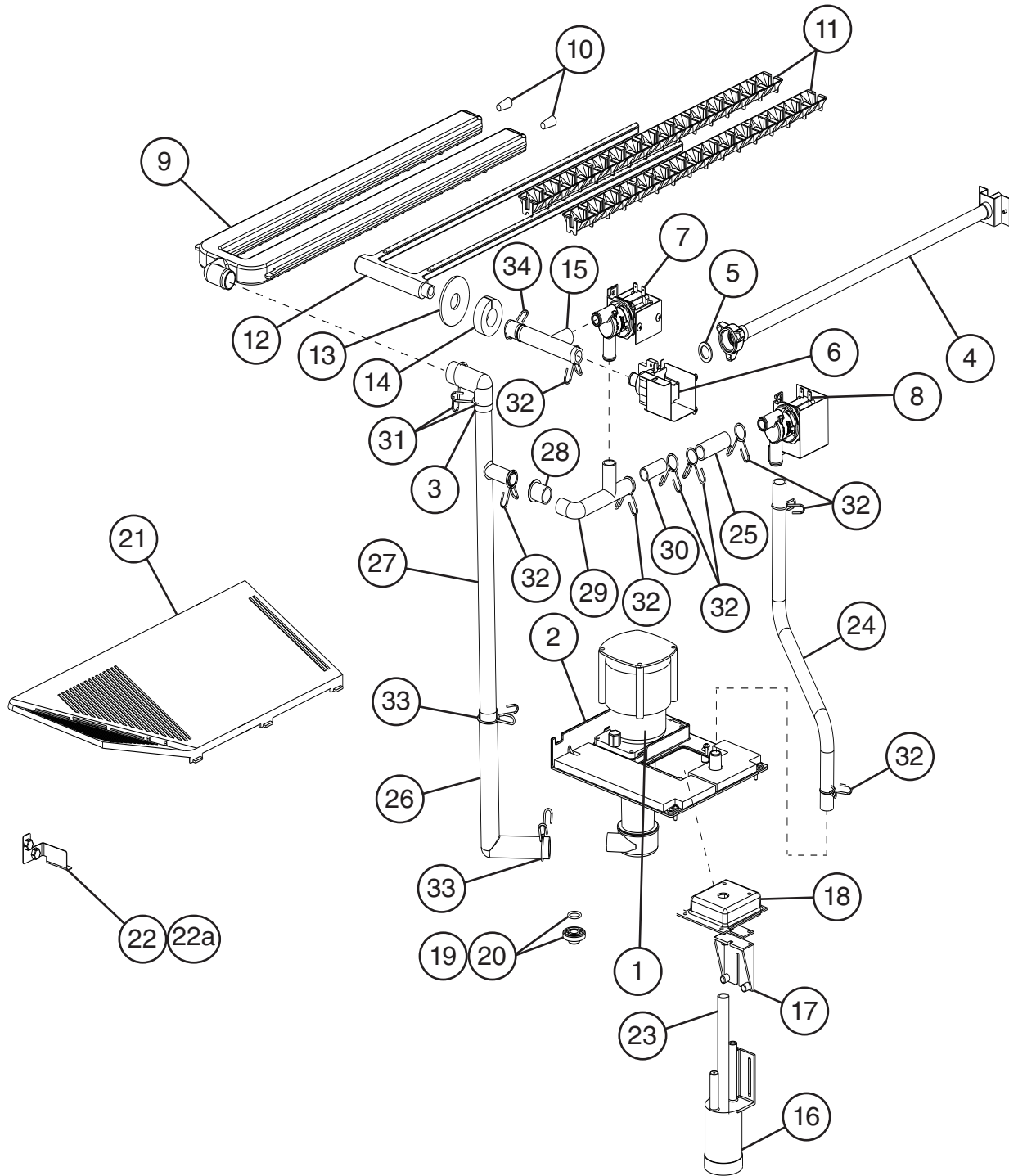
Title: A. Main Assembly & Refrigeration Circuit Model: KML-700MWJ													
Index No.	Description	Material or Model Number	Part Number	Required Number									
				F-0 to K-0									
Main Assembly													
1	Front Panel		3A4001A02	1									
2	Top Panel		3A1862A01	1									
3	Right Side Panel		2A2114G01	1									
4	Front Insulation		2A0664G02	1									
5	Top Insulation		215730G01	1									
6	Control Box Cover		3A9007-01	1									
7	Junction Box Cover		433410-01	1									
8	Bin Control Cover		3A0664G01	1									
9	Bin Control Bulb Holder		3A3903-01	1									
10	Bin Control Thermostat Extension Bracket		4A4358-01	1									
11	NSF Plate		4A4401G01	1									
11a	Thumbscrew		415949G10	2									
Refrigeration Circuit													
12	Compressor		4A5669-01	1									
13	Condenser		3A7323-01	1									
14	Water Regulating Valve		4A0911-07	1									
15	Male Connector		4A1087-01	1									
16	Evaporator		1A3956G01	1									
17	Thermostatic Expansion Valve		4A1482-01	1									
18	Thermostatic Expansion Valve Cover		3A0944-01	1									
19	Thermostatic Expansion Valve Bulb Holder		3A0107-01	1									
20	Clamp		443461-02	1									
21	Hot Gas Valve Body		4A3978-01	1									
22	Valve Coil		4A3277-01	1									
23	High-Pressure Switch		463180-05	1									
24	Thermistor		429006-03	1									
25	Thermistor Holder		427430-01	1									
26	Strainer		441569-02	1									
27	Drier		4A1113-01	1									
28	Heat Exchanger		1A2973G01	1									

A. Main Assembly & Refrigeration Circuit
KML-700MRJ
F-0 to K-0



Title: A. Main Assembly & Refrigeration Circuit Model: KML-700MRJ												
Index No.	Description	Material or Model Number	Part Number	Required Number								
				F-0 to K-0								
Main Assembly												
1	Front Panel		3A4001A02	1								
2	Top Panel		3A1862A01	1								
3	Right Side Panel		2A2114G01	1								
4	Front Insulation		2A0664G02	1								
5	Top Insulation		215730G01	1								
6	Control Box Cover		3A9007-01	1								
7	Junction Box Cover		433410-01	2								
8	Bin Control Cover		3A0664G01	1								
9	Bin Control Bulb Holder		3A3903-01	1								
10	Bin Control Thermostat Extension Bracket		4A4358-01	1								
11	NSF Plate		4A4401G01	1								
11a	Thumbscrew		415949G10	2								
Refrigeration Circuit												
12	Compressor		4A5669-01	1								
13	Crankcase Heater		4A5091-01	1								
14	Receiver		4A6213-01	1								
15	Evaporator		1A3956G01	1								
16	Thermostatic Expansion Valve		4A1482-01	1								
17	Thermostatic Expansion Valve Cover		3A0944-01	1								
18	Thermostatic Expansion Valve Bulb Holder		3A0107-01	1								
19	Clamp		443461-02	1								
20	Hot Gas Valve Body		4A3978-01	1								
21	Liquid Line Valve Body		4A3276-01	1								
22	Valve Coil		4A3277-01	2								
23	High-Pressure Switch		463180-04	1								
24	Thermistor		429006-03	1								
25	Thermistor Holder		427430-01	1								
26	Strainer		441569-02	1								
27	Drier		4A1113-01	1								
28	Liquid Line Coupling		433751G01	1								
29	Discharge Line Coupling		434136G01	1								
30	Heat Exchanger		1A2973G02	1								

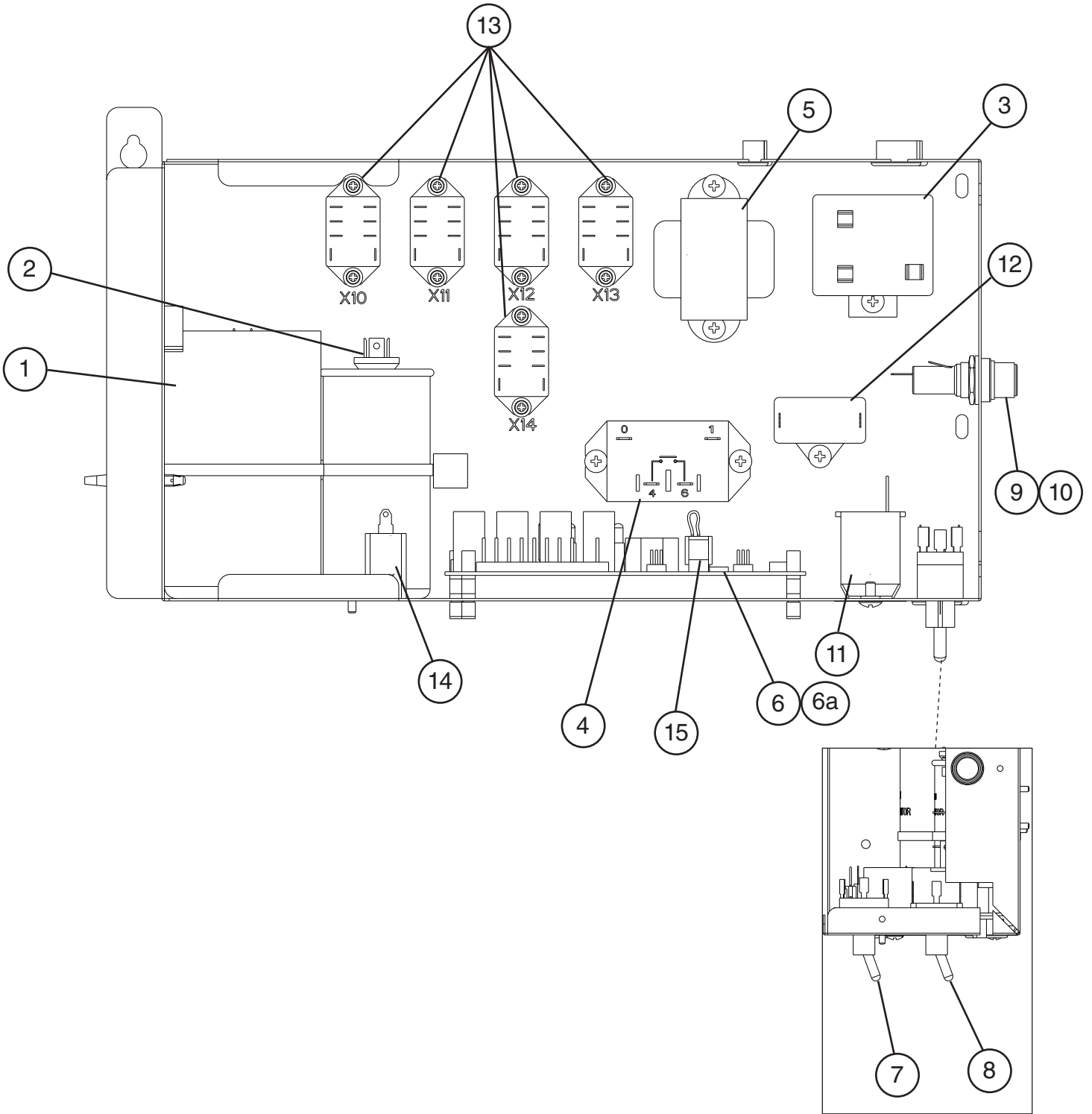
B. Water Circuit
KML-700M_J
F-0 to K-0



Title: B. Water Circuit Model: KML-700M_J

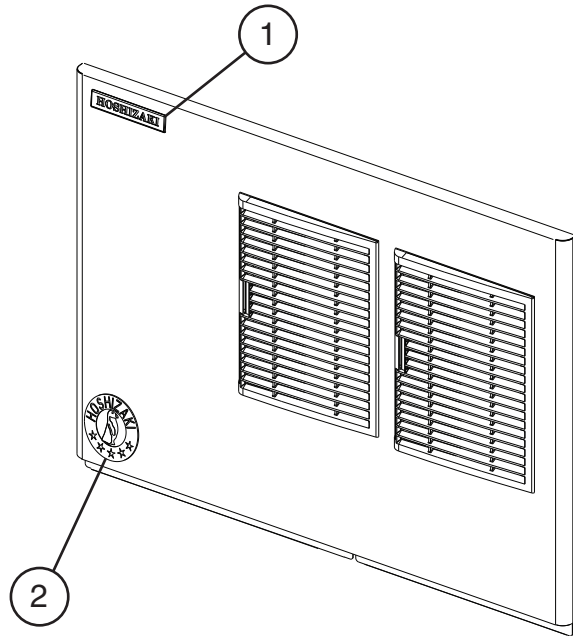
Index No.	Description	Material or Model Number	Part Number	F-0 to K-0	Required Number								
1	Pump Motor		4A4259-01	1									
2	Pump Motor Bracket		2A4920G01	1									
3	Elbow		4A0393-01	1									
4	Water Supply Pipe		4A0768G04	1									
5	Rubber Gasket		413854-03	1									
6	Inlet Water Valve		4A5251-07	1									
7	Cleaning Valve		4A5745-01	1									
8	Drain Valve		4A5745-03	1									
9	Spray Tube		1A0260-02	1									
10	Plug		4A0176-01	1									
11	Spray Guide		2A4282-02	1									
12	Water Supply Tube		2A0079-01	1									
13	Flange		439267-01	1									
14	Insulation E		4A0392-01	1									
15	Water Supply Tee		4A1006-01	1									
16	Float Switch		4A3624-01	1									
17	Float Switch Bracket		327757-01	1									
18	Float Switch Cover		3A0665-01	1									
19	Drain Plug		309246-01	1									
20	O-Ring		7611-P015	1									
21	Cube Guide		2A0660-01	1									
22	Cube Guide Bracket		2A8838-01	1									
22a	Thumbscrew		415949G08	2									
23	Vinyl Hose	L=150 mm	7716-1216	1									
24	Vinyl Hose	L=415 mm	7716-1519	1									
25	Vinyl Hose	L=55 mm	7716-1519	1									
26	Hose B		325867-01	1									
27	Connecting Pipe		3A1335-02	1									
28	Rubber Ring		4A1004-01	1									
29	Bypass Hose		4A1005-01	1									
30	Joint Pipe		439329-01	1									
31	Hose Clamp	25 mm	427443-03	2									
32	Hose Clamp	18 mm	427443-05	8									
33	Hose Clamp	27 mm	427443-08	2									
34	Hose Clamp	20 mm	427443-06	1									

C. Control Box Assembly
KML-700M_J
F-0 to K-0



Title: C. Control Box Assembly Model: KML-700M_J										
Index No.	Description	Material or Model Number	Part Number	Required Number						
				F-0 to K-0						
1	Start Capacitor	304-408MFD, 330VAC	3A0076-24	1						
2	Run Capacitor	40MFD, 370VAC	3A2005-13	1						
3	Start Relay		4A1107-22	1						
4	Compressor Relay		4A3140-01	1						
5	Control Transformer		3A0172-01	1						
6	Control Board		2A7664-04	1						
6a	Control Board Support		4A0336-03	4						
7	Control Switch		443119-01	1						
8	Service Swtich		4A0985-01	1						
9	Fuse Holder		4A5443-01	1						
10	Fuse	AGC-10A, 250VAC	4A0893-07	1						
11	Bin Control Thermostat		4A2879-01	1						
12	Fan Motor Capacitor	KML-700MAJ 5.0MFD, 250VAC	4A6435-02	1						
13	Relay (X10 = Pump Direction Relay, X11 = Inlet Water Valve Relay, X12 = Anti-Slush Relay, X13 = Service Relay)	All Models	406132-07	4						
	Relay (X14 = Crankcase Heater Relay)	KML-700MRJ		1						
14	Pump Motor Capacitor	2.5MFD, 250VAC	4A2128-05	1						
15	Jumper Connector		4A4883G01	1						

D. Accessories & Labels
KML-700M_J
 F-0 to K-0



Title: D. Accessories & Labels Model: KML-700M_J										
Index No.	Description	Material or Model Number	Part Number	Required Number						
				F-0 to K-0						
1	Hoshizaki Emblem		4A0560-01	1						
2	Penguin Label		475552L02	1						
3	Universal Brace		4A0363-01	2						
3a	Hex Head Bolt	5x12	7B02-0512	2						