

# Hoshizaki America, Inc.

## Modular Crescent Cuber Serenity Series

Model  
KMS-822MLH



“A Superior Degree  
of Reliability”

[www.hoshizaki.com](http://www.hoshizaki.com)

## PARTS LIST



Number: 71311  
Issued: 12-22-2010

**CONTENTS**

Auxiliary Codes..... 3  
Note About Ordering Parts ..... 3  
Material Abbreviations ..... 4  
A. Ice Cuber Assembly and Refrigeration Circuit..... 5  
B. Water Circuit ..... 7  
C. Control Box Assembly ..... 10  
D. Label Location ..... 11  
E. Accessories & Packaging ..... 12

## **Auxiliary Codes**

**KMS-822MLH**      V-0      August 2010

### **Auxiliary Code Breakdown**

The auxiliary code is the first two characters in the serial number. The first character indicates the year. Years progress or regress in alphabetical order. The series runs from "A" through "V" and the letters "I" and "O" are skipped. The second character indicates significant part changes within a year. Base is "0" and this number advances for each change.

### **Note About Ordering Parts**

Most assemblies cannot be ordered as complete units; parts in the assemblies generally must be ordered separately.

## Material Abbreviations

### ALUMINUM

AL = Aluminum

### COPPER

CU = Copper

### PLASTIC

ABS = Acrylonitrile -butadiene -styrene  
AC = Polyacetal  
EVA = Ethylene vinyl acetate  
PA = Polyamide = Nylon  
PC = Polycarbonate  
PE = Polyethylene  
PES = Polyester  
PETP = Polyethylene terephthalate = Tetlon  
PP = Polypropylene  
PS = Polystyrene  
PTFE = Polytetrafluoroethylene = Teflon  
PUR = Polyurethane  
PVC = Polyvinyl chloride

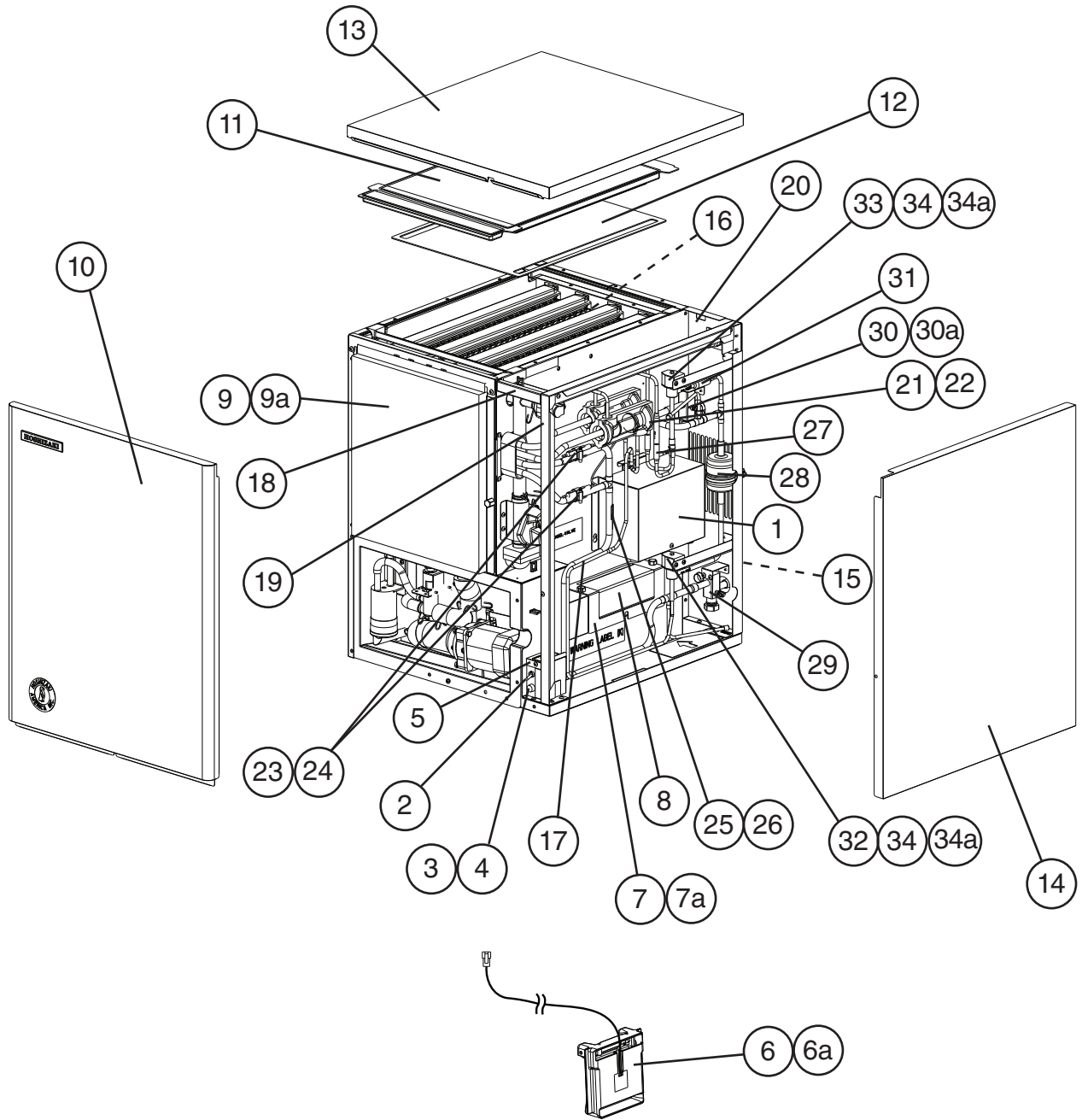
### RUBBER

VN = Vinyl Nitrile  
EPDM = EP rubber  
NBR = Nitrile butadiene rubber  
NR = Natural rubber  
NP = Neoprene  
SI.R = Silicone rubber  
SY.R = Synthetic rubber  
EPH = Epichlorohydrin

### STEEL

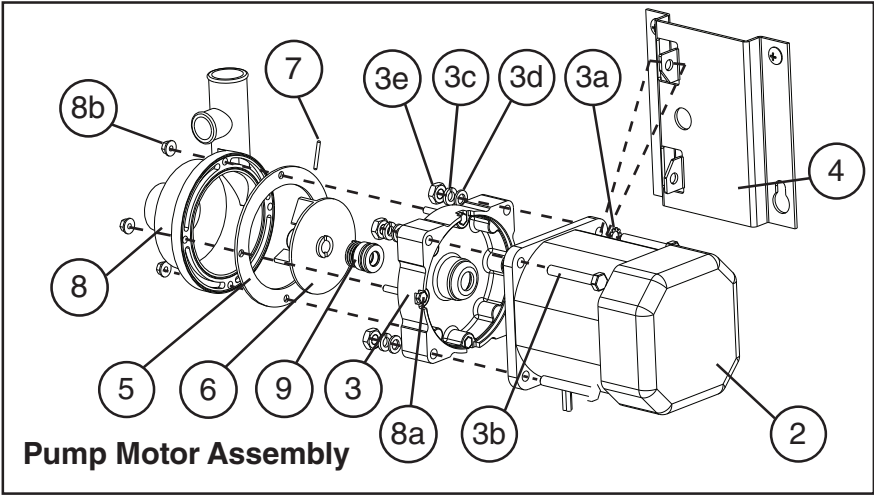
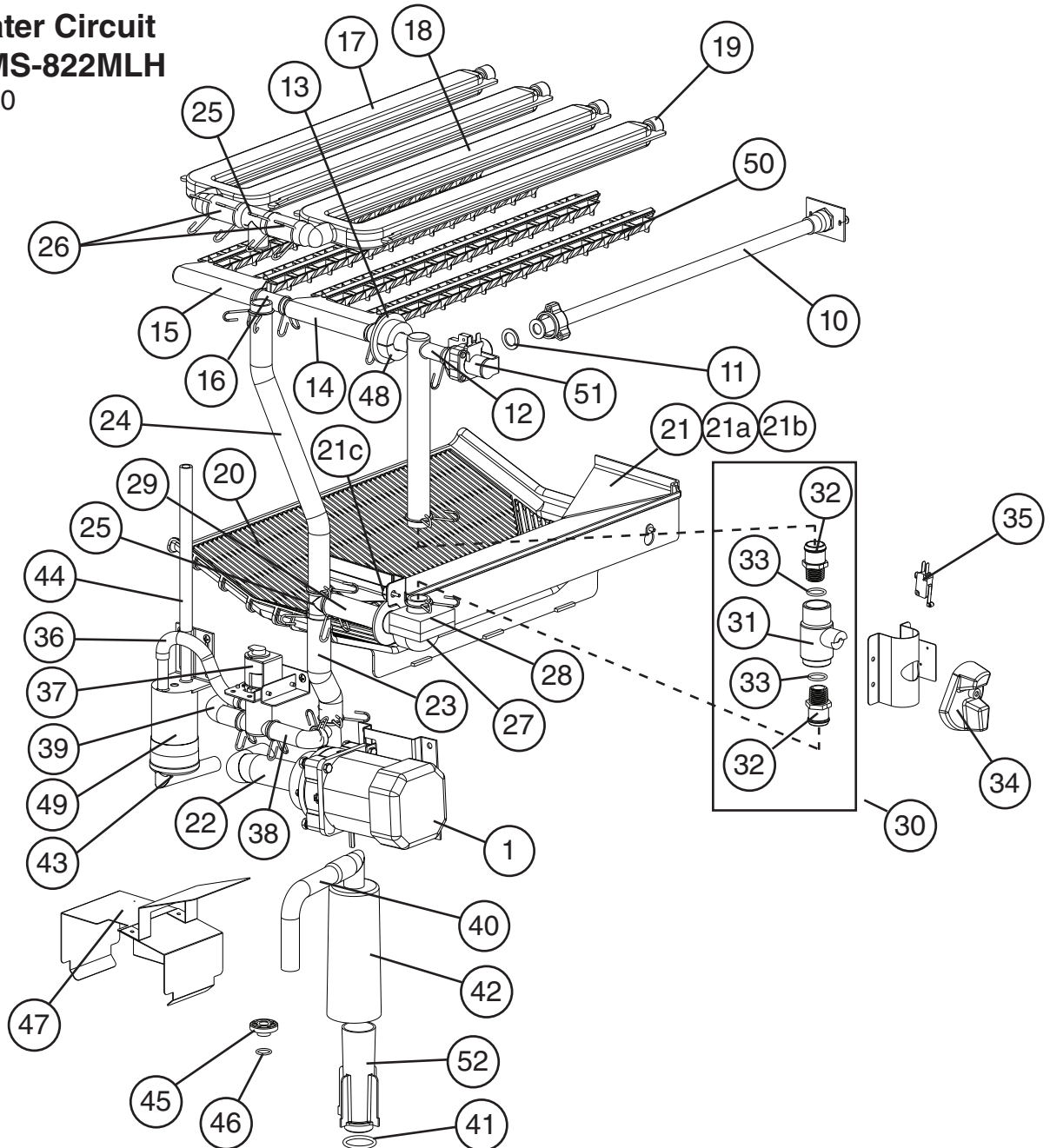
GS = Galvanized steel  
SS = Stainless steel  
PS = Plated steel  
PAS = Primed steel

**A. Ice Cuber Assembly and Refrigeration Circuit**  
**KMS-822MLH**  
 V-0



Title: <b>A. Ice Cuber Assembly and Refrigeration Circuit</b> Model: <b>KMS-822MLH</b>												
Index No.	Description	Material or Model Number	Part Number	Required Number								
				V-0								
	<b>Ice Cuber Assembly Order Assembly Parts Individually</b>		1A2071A01									
1	Control Box Cover		3A6397-01	1								
2	Toggle Switch		443119-01	1								
3	Fuse Holder		4A3449-01	1								
4	Fuse	10A, 250V	4A0893-07	1								
5	Switch Box Cover		4A5212-01	1								
6	Bin Control		2A4393G01	1								
6a	Thumbscrew		415949G10	2								
7	Bin Control Bracket		3A2642-01	1								
7a	Thumbscrew		415949G10	2								
8	Bin Control Bracket Insulation		4A3068-01	1								
9	Front Insulation		3A2933G01	1								
9a	Thumbscrew		415949G12	1								
10	Front Panel		2A6191G01	1								
11	Top Insulation		3A2934G01	1								
12	Top Cover		3A2922-01	1								
13	Top Panel		2A6189G01	1								
14	Side Panel (R)	SS	2A2800G01	1								
15	Wire Harness (KMS-SRK)		469256G01	1								
	<b>Refrigeration Circuit Order Assembly Parts Individually</b>		1A2075A01	1								
16	Evaporator		2A2781G02	1								
17	Heat Exchanger		2A6184G01	1								
18	Front Frame		3A6191-01	1								
19	Side Frame		2A6183G01	1								
20	Rear Panel		2A6182-01	1								
21	Expansion Valve		4A1414-01	2								
22	Expansion Valve Cover		3A0944-01	2								
23	Expansion Valve Bulb Holder		3A0107-01	2								
24	Clamp		443461-02	2								
25	Thermistor		429006-03	1								
26	Thermistor Holder		427430-01	1								
27	Check Valve		4A1373-01	2								
28	Drier		4A2663-01	1								
29	Shutoff Valve		4A3490-01	1								
30	Shutoff Valve		4A2215-01	1								
30a	Hex Head Bolt		7B0111420	1								
31	Strainer		441569-02	1								
32	Line Valve Body		4A3276-01	1								
33	Hot Gas Valve Body		4A3978-01	1								
34	Valve Coil		4A3277-01	2								
34a	Bolt		4A3277F01	2								

**B. Water Circuit**  
**KMS-822MLH**  
 V-0



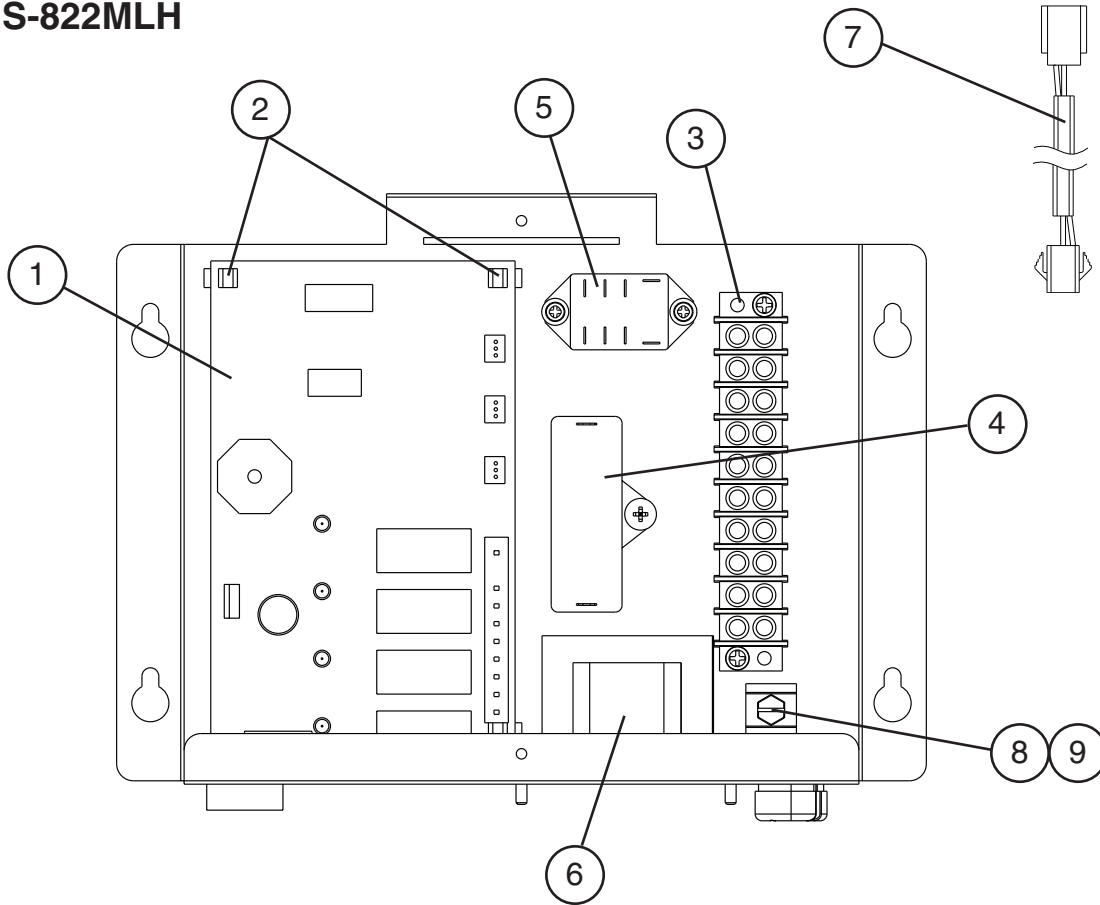
Title: **B. Water Circuit** Model: **KMS-822MLH**

Index No.	Description	Material or Model Number	Part Number	Required Number																
				V-0																
	<b>Water Circuit Order Assembly Parts Individually</b>		1A1360A03																	
1	Pump Motor Assembly (includes items 2 through 9)	HS-0178	2A2848A01	1																
2	Pump Motor	M91A60SP201	2U0106-01	1																
3	Pump Flange		215662-01	1																
3a	Tooth Washer	SS	7R22-0600	2																
3b	Hex Bolt	6x40, SS	7B02-0640	4																
3c	Split Lock Washer	SS	7L22-0600	4																
3d	Flat Washer	SS	7W22-0600	4																
3e	Hex Nut	SS	7N12-0600	4																
4	Pump Motor Bracket	SS	323904-01	1																
5	Packing		428547-01	1																
6	Impeller		428548-01	1																
7	Pin		4A0648-01	1																
8	Pump Housing		2A2762-01	1																
8a	Hex Bolt	4x30, SS	7B02-0430	4																
8b	Hex Flange Nut		7J02-0400	4																
9	Mechanical Seal		4A3820-01	1																
10	Water Supply Pipe		4A0768G08	1																
11	Rubber Gasket		413854-03	1																
12	Water Valve Hose		3A2648-01	1																
13	Flange		439267-01	1																
14	Water Supply Tube		2A2370-01	1																
15	Water Supply Tube		2A2370-02	1																
16	Vinyl Hose	L=47	7716-1519	1																
17	Spray Tube		2A2369-01	1																
18	Spray Tube		2A2369-02	1																
19	Spray Tube Plug		3A2645-01	4																
20	Cube Guide (A)		1A0842-01	1																
21	Cube Guide (B)		1A0781-01	1																
21a	Collar		435269-01	2																
21b	Flat Head T2 Screw	4x12, SS	7P22-0412	2																
21c	Thumbscrew		415949G10	1																
22	Suction Hose		4A3001-01	1																
23	Discharge Hose		3A2646-01	1																
24	Vinyl Hose	L=358	7716-2025	1																
25	Distributor		432426-01	2																
26	Vinyl Hose	L=63	7716-2025	2																
27	Corner Insulation (A)		439376-01	1																
28	Corner Insulation (B)		439392-01	1																
29	Bypass Hose		439237-03	1																
30	Ball Valve Assembly (includes items 31 through 33)	S-0761	442137A01	1																
31	Ball Valve		439293-01	1																
32	Male Adaptor		325826-01	2																
33	"O" Ring		7611-P018	2																
34	Handle		215383-01	1																



Title: <b>B. Water Circuit</b> Model: <b>KMS-822MLH</b>												
Index No.	Description	Material or Model Number	Part Number	Required Number								
				V-0								
35	Microswitch		4A2546-01	1								
36	Float Switch Hose		3A2647-01	1								
37	Drain Valve		4A2396-01	1								
38	Pump Motor Drain Hose		4A3044-01	1								
39	Drain Hose		4A3002-01	1								
40	Overflow Drain Hose		4A3003-01	1								
41	"O" Ring		4A1234-01	1								
42	Overflow Cap		321002-01	1								
43	Float Switch Connector		426799-03	1								
44	Silicone Hose	L=200	773013896	1								
45	Drain Plug		309246-01	1								
46	"O" Ring		7611-P015	1								
47	Water Shield	SS	3A2725G01	1								
48	Insulation (E)		4A0392-01	1								
49	Float Switch		4A3624-01	1								
50	Spray Guide		2A4282-03	4								
51	Water Valve		3U0111-02	1								
52	Overflow Pipe		430722-08	1								
<b>Hose Clamps</b>												
	Hose Clamp	25mm, SS	427443-03	9								
	Hose Clamp	16.5mm, SS	427443-04	1								
	Hose Clamp	18mm, SS	427443-05	3								
	Hose Clamp	20mm, SS	427443-06	3								
	Hose Clamp	27mm, SS	427443-08	2								

**C. Control Box Assembly**  
**KMS-822MLH**  
 V-0

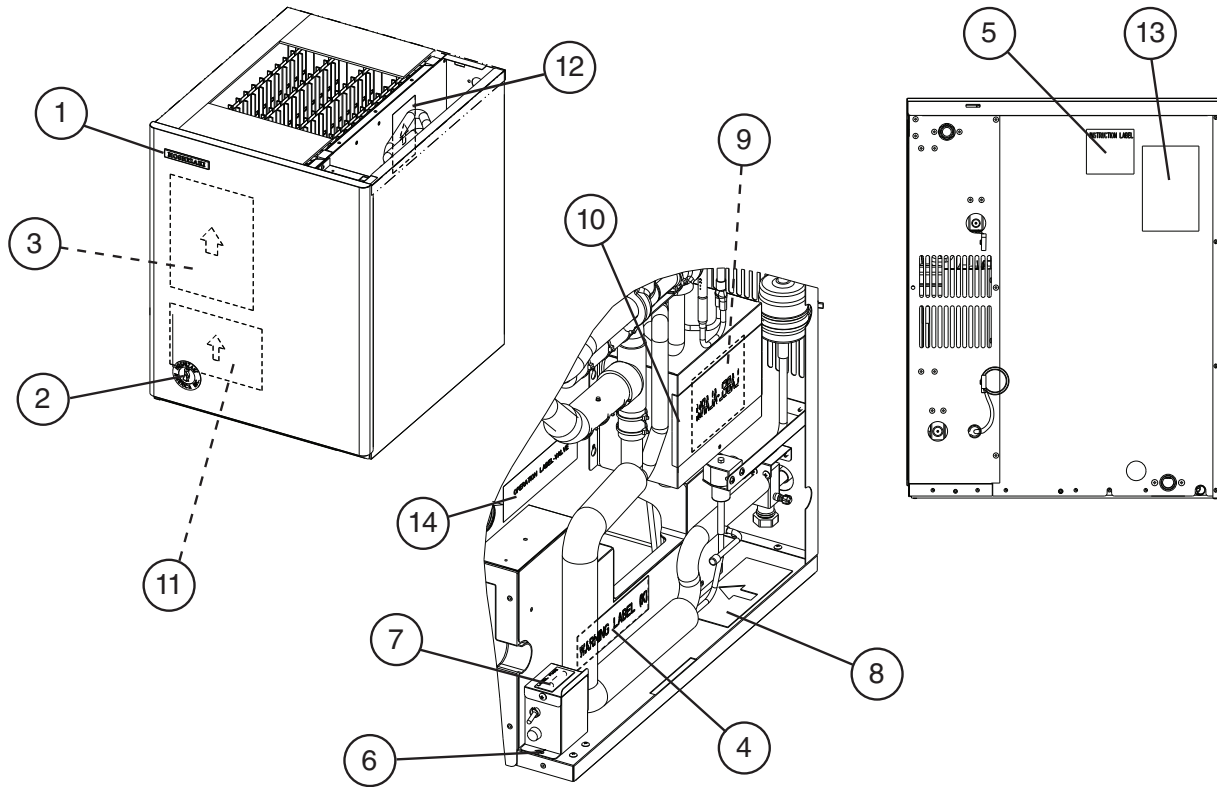


Title: <b>C. Control Box Assembly</b> Model: <b>KMS-822MLH</b>				Required Number										
Index No.	Description	Material or Model Number	Part Number	V-0										
	<b>Control Box Assembly</b>		3A6211A01											
	<b>Order Assembly Parts Individually</b>													
1	"G" Control Board		2A3792-01	1										
2	Board Support		4A0336-03	4										
3	Terminal Block		4A4201-01	1										
4	Pump Motor Capacitor	10 MFD, 250VAC	443192-01	1										
5	Relay (X10)		406132-07	1										
6	Control Transformer		3A0172-01	1										
7	Wire Harness (Bin Control)	L=90	4A2200G04	1										
8	Square Washer		433537-02	1										
9	Grounding Screw		433304-02	1										

## D. Label Location

### KMS-822MLH

V-0



Title: D. Label Location		Model: KMS-822MLH		Required Number							
Index No.	Description	Material or Model Number	Part Number	V-0							
<b>Label Location</b>											
<b>Order Assembly Parts Individually</b>			2A6206A01								
1	Emblem		4A0560-01	1							
2	Penguin Label-HA-R		4A0526-01	1							
3	Maintenance Label		2A6207-01	1							
4	Warning Label (K)		4A4736-01	1							
5	Instruction Label		444575-01	1							
6	Manual Label		3A6223-01	1							
7	Fuse Label		4A2817-01	1							
8	Warning Label		4A4209-01	1							
9	Alarm Label		4A3517-01	1							
10	Control Board Label		3A4799-01	1							
11	Wiring Label		2A6167-01	1							
12	Rating Label		2A3300-05	1							
13	Nameplate		2A3298-05	1							
14	Valve Operation Label		439541-01	1							

**E. Accessories & Packaging**  
**KMS-822MLH**  
 V-0

Title: <b>E. Accessories &amp; Packaging</b> Model: <b>KMS-822MLH</b>												
Index No.	Description	Material or Model Number	Part Number	Required Number								
				V-0								
1	Mounting Bracket		4A0363-01	2								
	Offset Mounting Bracket		4A5311-01	1								
1a	Hex Bolt	5x12, SS	7B02-0512	4								
2	Extension Bracket		4A4296G01	1								
2a	Thumbscrew		415949G10	2								
3	Instruction Manual		91A1YF10A	1								
	Packaging		2A6210A01									