



HOSHIZAKI

Parts List

Modular Crescent Cuber
Serenity Series

Models
KMS-830MLJ



CONTENTS

Auxiliary Codes.....	3
Note About Ordering Parts	3
A. Main Assembly and Refrigeration Circuit.....	4
B. Water Circuit	6
C. Control Box Assembly	9
D. Accessories & Labels	10

Auxiliary Codes

KMS-830MLJ

H-0 March 2018

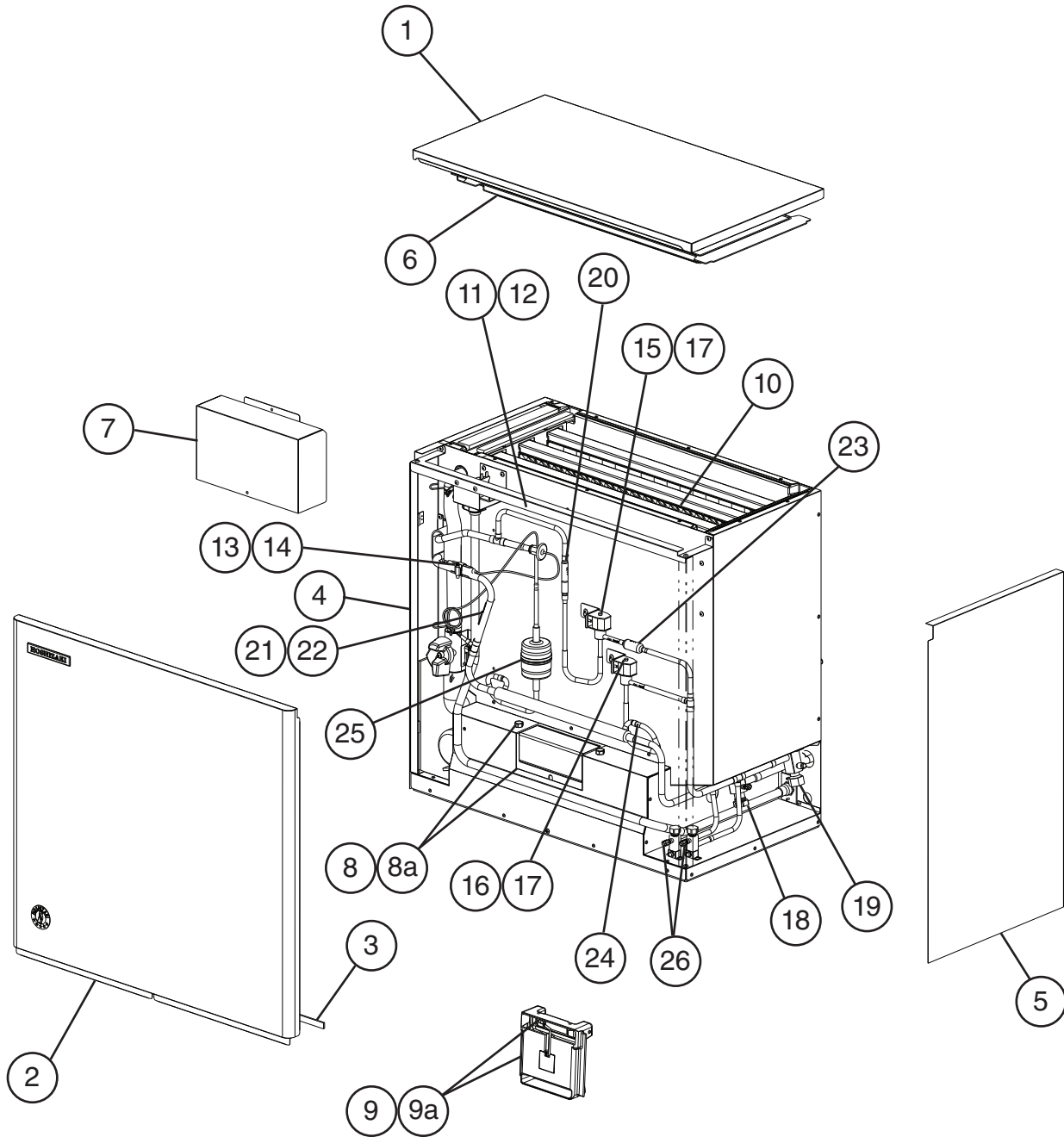
Auxiliary Code Breakdown

The auxiliary code is the first two characters in the serial number. The first character indicates the year. Years progress or regress in alphabetical order. The series runs from "A" through "V" and the letters "I" and "O" are skipped. The second character indicates significant part changes within a year. Base is "0" and this number advances for each change. In cases where there is a letter in parentheses, this designates the month. This is the last character in the serial number. The series runs from "(A)" through "(M)" and the letter "(I)" is skipped. This designation is only included when identifying a parts change within an auxiliary code.

Note About Ordering Parts

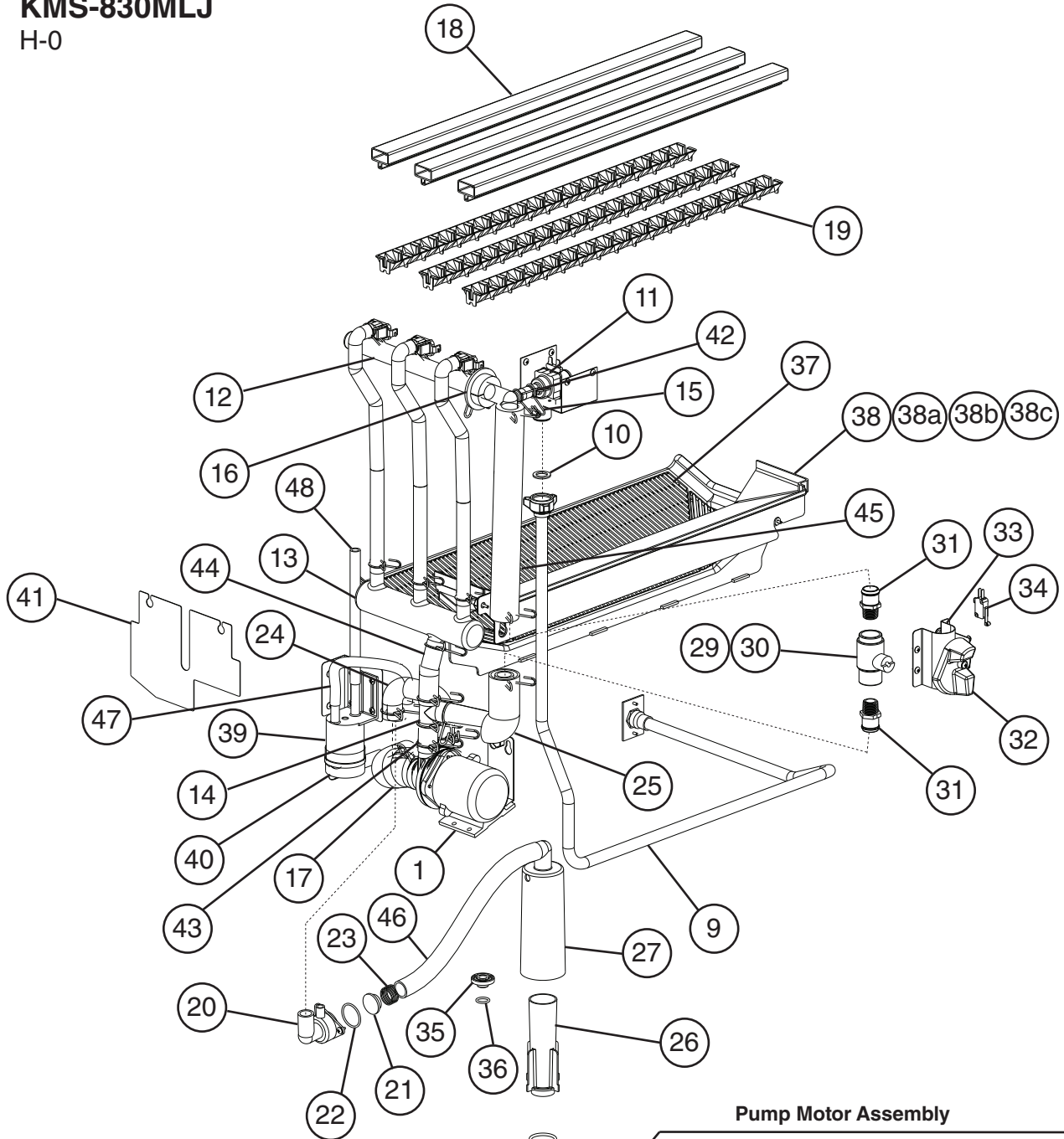
Most assemblies cannot be ordered as complete units; parts in the assemblies generally must be ordered separately.

A. Main Assembly and Refrigeration Circuit
KMS-830MLJ
H-0

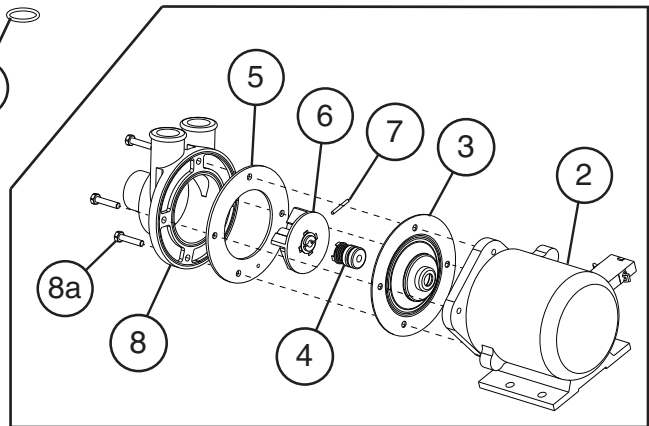


Title: A. Main Assembly and Refrigeration Circuit				Model: KMS-830MLJ									
Index No.	Description	Material or Model Number	Part Number	Required Number									
				H-0									
Main Assembly													
1	Top Panel		2A6262-01	1									
2	Front Panel		2A6454-01	1									
3	Gasket		4A0808L02	1									
4	Left Side Panel		2A6261G01	1									
5	Right Side Panel		2A6287G01	1									
6	Top Insulation		3A6363G01	1									
7	Control Box Cover		3A6373-01	1									
8	Bin Control Cover		3A2642-01	1									
8a	Thumbscrew		415949G10	2									
9	Bin Control		2A4393G02	1									
9a	Thumbscrew		415949G10	2									
Refrigeration Circuit													
10	Evaporator		2A8529G01	1									
11	Thermostatic Expansion Valve		4A5302-01	1									
12	Thermostatic Expansion Valve Cover		3A0944-01	1									
13	Thermostatic Expansion Valve Bulb Holder		3A0107-01	1									
14	Clamp		443461-02	1									
15	Hot Gas Valve Body		4A3978-01	1									
16	Line Valve Body		4A3276-01	1									
17	Valve Coil		4A3277-01	2									
18	Suction Line Shutoff Valve		4A3490-01	1									
19	Liquid Line Shutoff Valve		4A4822-01	1									
20	Check Valve		4A2054-01	1									
21	Thermistor		429006-03	1									
22	Thermistor Holder		427430-01	1									
23	Strainer		441569-02	1									
24	Heat Exchanger		4A3754-01	1									
25	Drier		4A2663-01	1									
26	Service Valve		4A3420-01	2									

B. Water Circuit
KMS-830MLJ
H-0



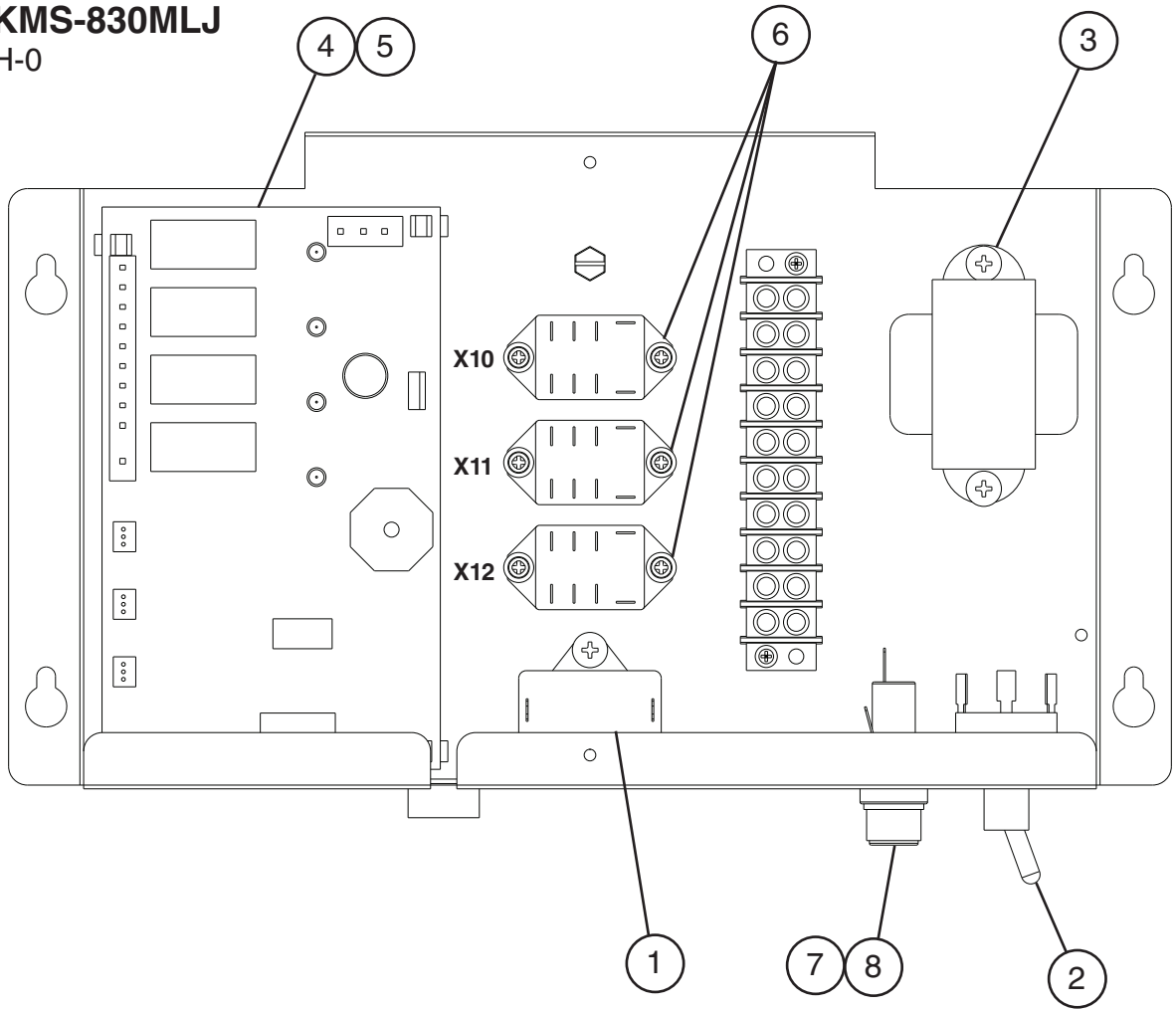
Pump Motor Assembly



Title: B. Water Circuit Model: KMS-830MLJ												
Index No.	Description	Material or Model Number	Part Number	Required Number								
				H-0								
1	Pump Motor Assembly (includes items 2 through 8a)	PA0613	3A2638A03	1								
2	Pump Motor		2A2758-01	1								
3	Pump Flange		3A2988-01	1								
4	Mechanical Seal		465627-01	1								
5	Pump Gasket		4A2974-01	1								
6	Impeller		433522-01	1								
7	Pin		4A0648-01	1								
8	Pump Housing		211409-01	1								
8a	Screw	4x20	4A3871-01	4								
9	Water Supply Pipe		3A6358G01	1								
10	Rubber Gasket		413854-03	1								
11	Inlet Water Valve		3U0111-02	1								
12	Distributor Hose A		325738-01	1								
13	Distributor Hose C		3A6345-01	1								
14	Distributor		432426-01	1								
15	Distributor B		3A6353-01	1								
16	Flange		439267-02	1								
17	Suction Hose		4A3001-02	1								
18	Spray Tube		4A3715G01	3								
19	Spray Guide		118939P01	3								
20	Drain Valve Housing		323613-01	1								
21	Valve Seat		433705-01	1								
22	O-Ring		7611-G035	1								
23	Spring		322110-01	1								
24	Drain Hose		4A5270-01	1								
25	Bypass Hose		4A5278-01	1								
26	Overflow Pipe		430722-08	1								
27	Overflow Cap		321002-01	1								
28	O-Ring		4A1234-01	1								
29	Ball Valve Assembly (includes items 30 and 31)		442137A01	1								
30	Ball Valve		439293-01	1								
31	Male Adaptor		325826-01	2								
32	Handle		215383-01	1								
33	Valve Holder		3A1178-01	1								
34	Microswitch		4A2546-01	1								
35	Drain Plug		309246-01	1								
36	O-Ring		7611-P015	1								
37	Cube Guide A		1A2081-01	1								
38	Cube Guide B		1A2082-01	1								
38a	Collar		435269-01	2								
38b	Flat Head T2 Screw	4x12	7P22-0412	2								
38c	Thumbscrew		415949G10	2								
39	Float Switch		4A3624-01	1								
40	Float Switch Connector		426799-03	1								
41	Splash guard		4A6180-01	1								
42	Vinyl Hose	L=40 mm	7716-1216	1								

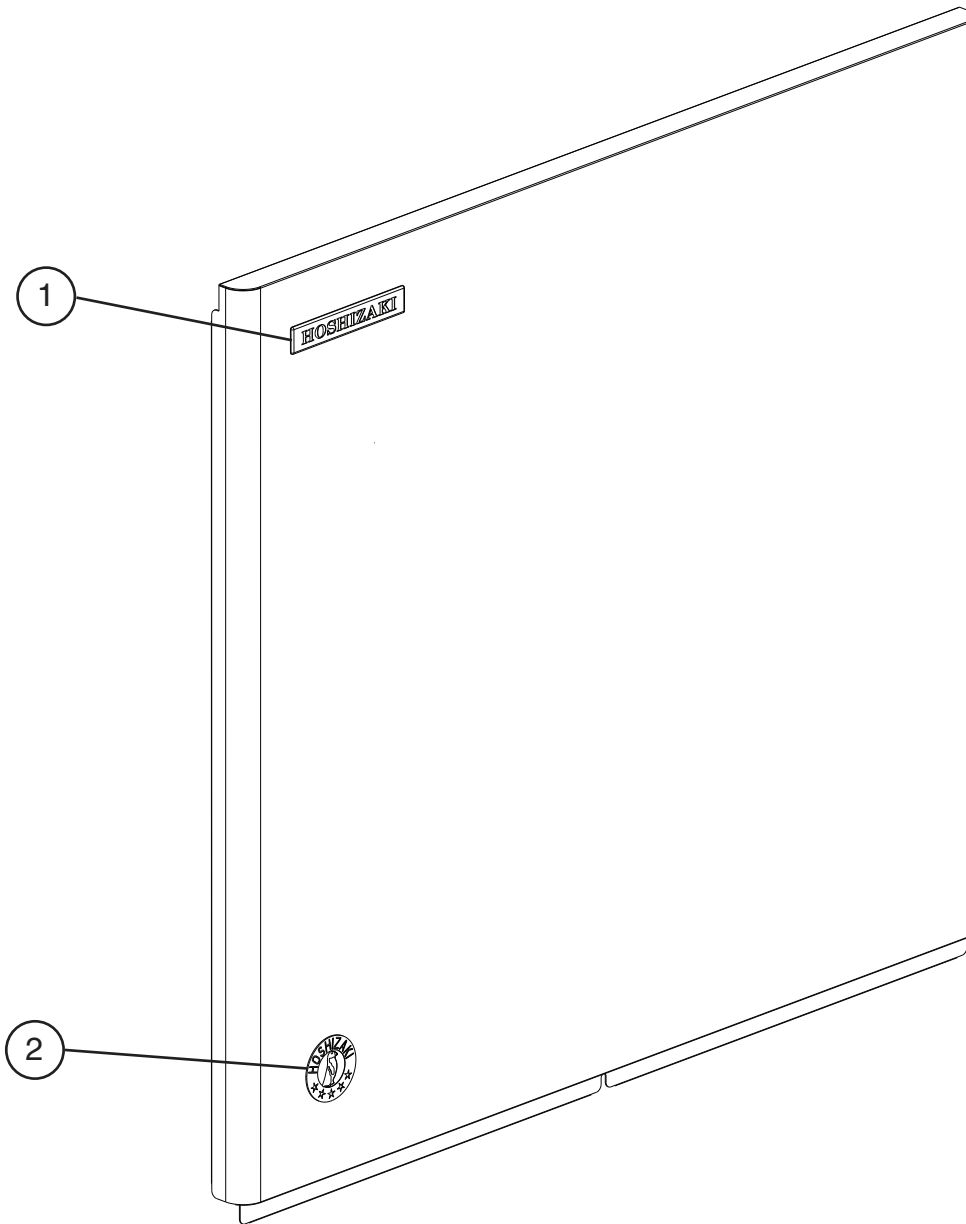
Title: B. Water Circuit Model: KMS-830MLJ												
Index No.	Description	Material or Model Number	Part Number	Required Number								
				H-0								
43	Vinyl Hose	L=40 mm	7716-2025	1								
44	Vinyl Hose	L=100 mm	7716-2025	1								
45	Vinyl Hose	L=320 mm	7716-2025	1								
46	Vinyl Hose	L=340 mm	7716-2025	1								
47	Silicone Hose	L=210 mm	7730I3896	1								
48	Silicone Hose	L=200 mm	7730I3896	1								
Hose Clamps												
	Hose Clamp	25 mm	427443-03	11								
	Hose Clamp	16.5 mm	427443-04	2								
	Hose Clamp	18 mm	427443-05	3								
	Hose Clamp	20 mm	427443-06	3								

C. Control Box Assembly
KMS-830MLJ
H-0



Title: C. Control Box Assembly Model: KMS-830MLJ															
Index No.	Description	Material or Model Number	Part Number	Required Number											
				H-0											
1	Pump Motor Capacitor	5.5MFD, 250VAC	443192-03	1											
2	Control Switch		443119-01	1											
3	Control Transformer		3A0172-01	1											
4	Control Board		2A7664-02	1											
5	Control Board Support		4A0336-03	4											
6	Relay X10 = Pump Direction Relay X11 = X10 Control Relay X12 = Anti-Slush Control Relay		406132-07	3											
7	Fuse Holder		4A5443-01	1											
8	Fuse	ACG-10A, 250VAC	4A0893-07	1											

D. Accessories & Labels
KMS-830MLJ
H-0



Title: D. Accessories & Labels		Model: KMS-830MLJ		Required Number										
Index No.	Description	Material or Model Number	Part Number	H-0										
1	Hoshizaki Emblem Label		4A0560-01	1										
2	Penguin-HA Label		475552L02	1										
3	Universal Brace		4A5357-01	2										
3a	Hex Bolt	5x12	7B02-0512	4										