

Hoshizaki America, Inc.

Professional Series Refrigerated Kitchen Equipment

Model
RIR2-SSB



“A Superior Degree
of Reliability”

www.hoshizaki.com

PARTS LIST



Number: 71329
Issued: 6-24-2011
Revised: 11-20-2015

CONTENTS

Auxiliary Codes.....	3
Note About Ordering Parts	3
A. Main Assembly	4
B. Refrigeration Circuit.....	6
C. Control Box Assembly	8
D. Door-Right Hinged	9
E. Door-Left Hinged	11
F. Accessories & Labels.....	13

Auxiliary Codes

RIR2-SSB

A-5	August 2011
B-5	May 2012
C-5	February 2013
D-5	March 2014
E-5	August 2015

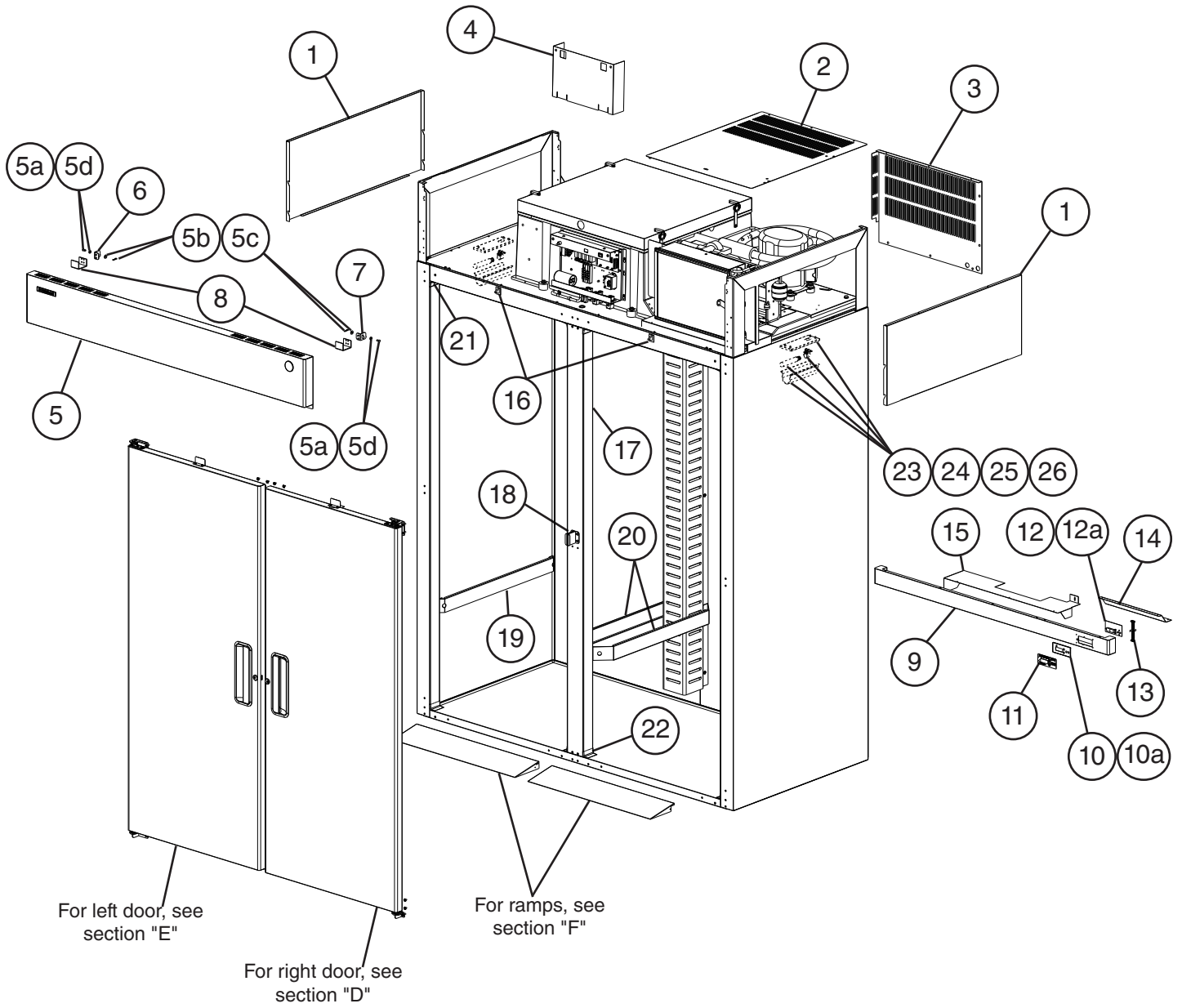
Auxiliary Code Breakdown

The auxiliary code is the first two characters in the serial number. The first character indicates the year. Years progress or regress in alphabetical order. The series runs from "A" through "V" and the letters "I" and "O" are skipped. The second character indicates significant part changes within a year. Base is "5" and this number advances for each change. In cases where there is a letter in parentheses, this designates the month. This is the last character in the serial number. The series runs from "(A)" through "(M)" and the letter "(I)" is skipped. This designation is only included when identifying a parts change within an auxiliary code.

Note About Ordering Parts

Most assemblies cannot be ordered as complete units; parts in the assemblies generally must be ordered separately.

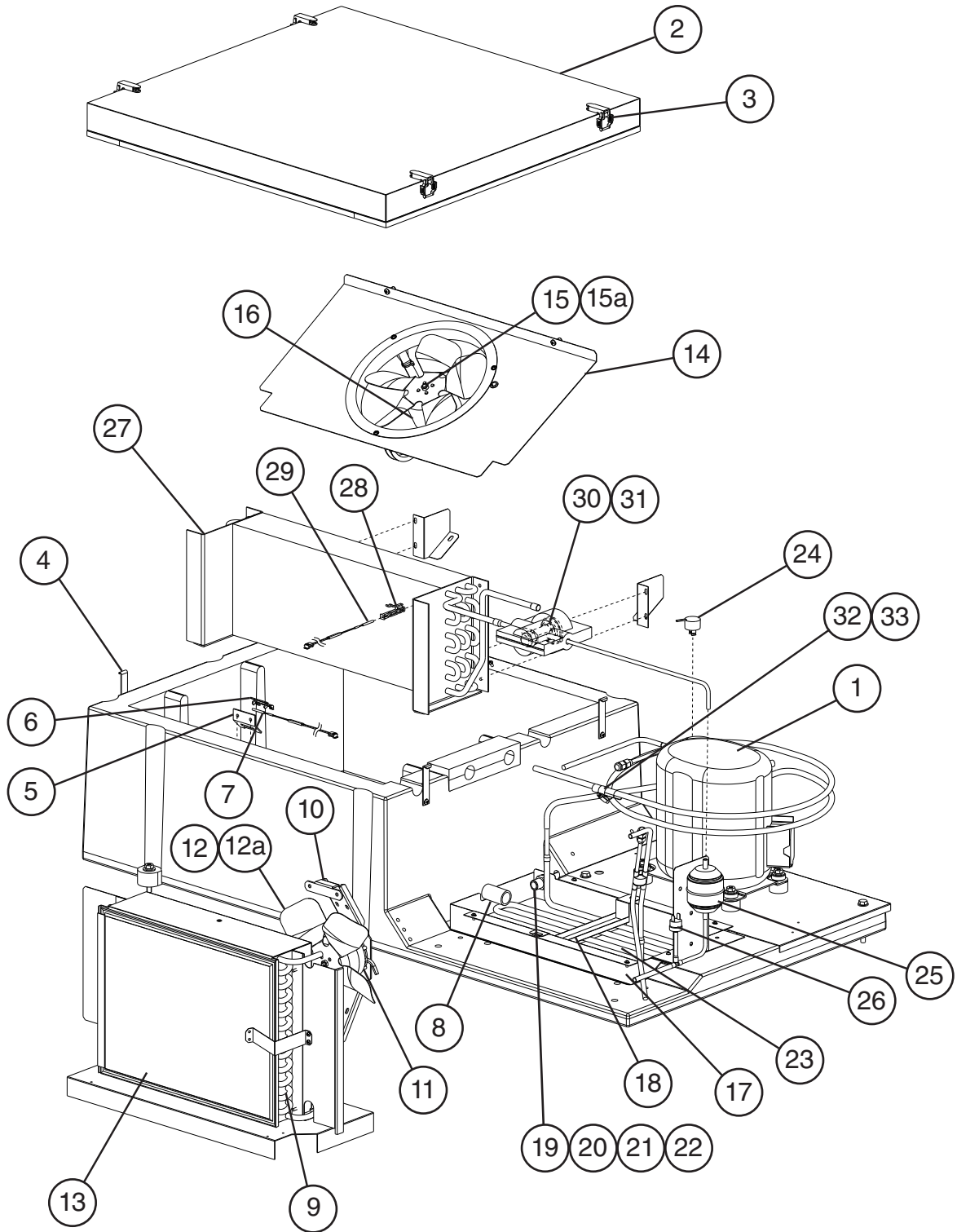
A. Main Assembly
RIR2-SSB
 A-5 to E-5



Title: A. Main Assembly Model: RIR2-SSB

Index No.	Description	Material or Model Number	Part Number	Required Number									
				A-5 to E-5									
1	Side Top Panel		2A4488-01	2									
2	Top Cover		2A1118-02	1									
3	Rear Cover		2A1117-01	1									
4	Control Box Cover		2A1031-01	1									
5	Front Panel		1A1869-01	1									
5a	Clevis Pin		8907-0102	2									
5b	Cotter Pin		8907-0103	2									
5c	Flat Washer		4A0655-03	2									
5d	Hinge Spacer		4A2473-01	2									
6	Left Front Panel Hinge		4A2153-01	1									
7	Right Front Panel Hinge		4A2154-01	1									
8	Hinge Channel		4A2170-01	2									
9	Control Panel		1A1868-01	1									
10	Display Board		2A0883-01	1									
10a	Palnut		4A1398-01	6									
11	Display Label		3A5788-01	1									
12	Display Board Mount		3A0823-01	1									
12a	Nylon Screw		4A1397-01	4									
13	Ribbon Cable	L=1219 mm	4A1106-02	1									
14	Display Board Cover		3A5517-01	1									
15	Wire Cover		2A5230-01	1									
16	Door Switch		3A1826-01	2									
17	Vertical Mullion (includes item 18)		2A5228G01	1									
18	Strike Plate		4A4590-01	2									
19	Outer Rack Guide		3A4707-01	2									
20	Inner Rack Guide		3A5515-02	2									
21	Top Corner Cover		3A1751-01	4									
22	Bottom Shaved Corner Cover		3A4731G01	4									
23	Light Plate		3A4732-01	2									
24	Light Socket		4A4443-01	2									
25	Light Bulb		4A4444-01	2									
26	Light Cover		3A4733-01	2									

B. Refrigeration Circuit
RIR2-SSB
A-5 to E-5

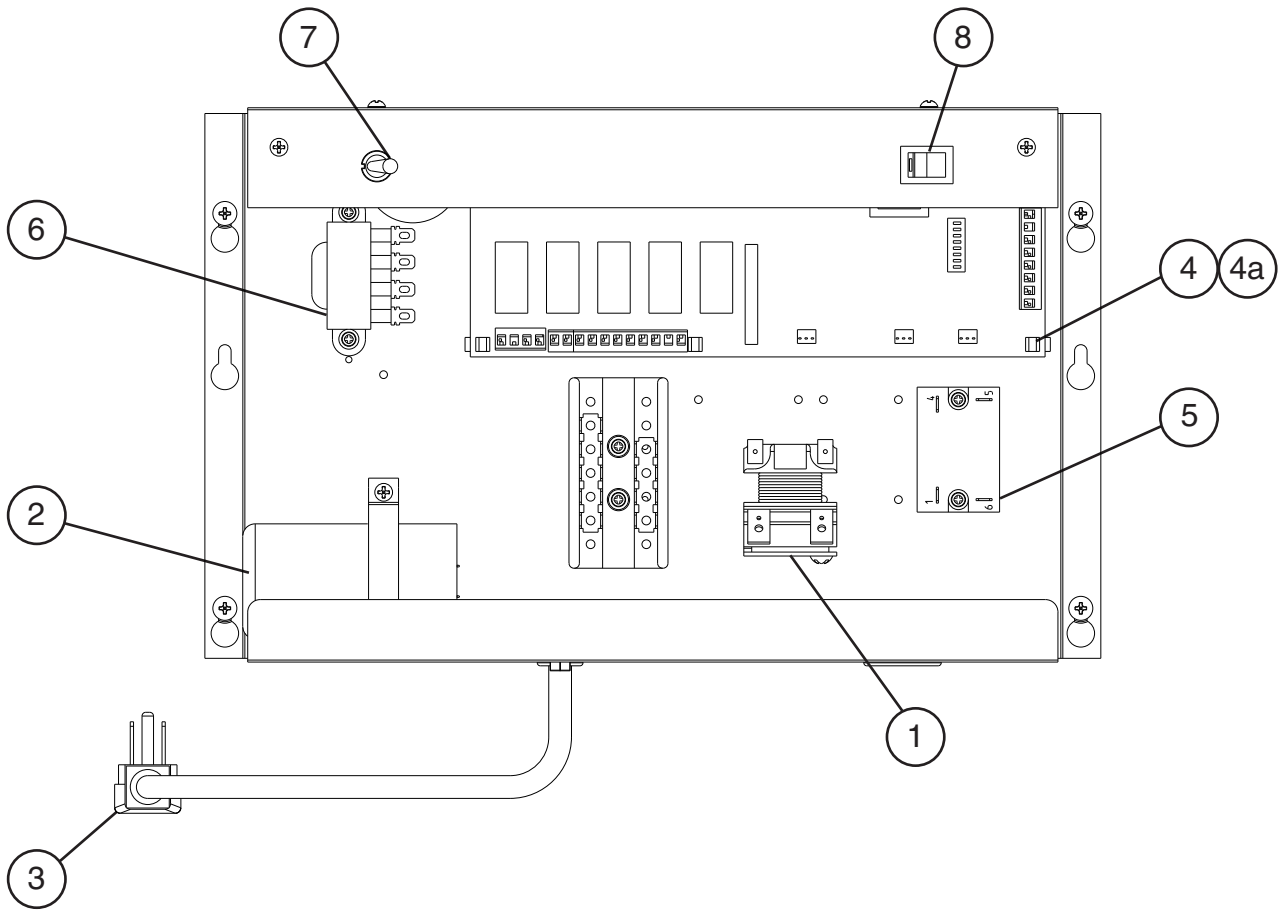


Title: B. Refrigeration Circuit Model: RIR2-SSB											
Index No.	Description	Material or Model Number	Part Number	Required Number							
				A-5	B-5 to E-5						
1	Compressor		2A1295-01	1	1						
2	Evaporator Case Cover (includes item 3)		2A4326A01	1	1						
3	Draw Latch		4A3988-01	4	4						
4	Catch Latch		4A3987-01	4	4						
5	Cabinet Thermistor Bracket		433964-01	1	1						
6	Cabinet Thermistor Clip		433920-01	1	1						
7	Cabinet Thermistor		4A1429-01	1	1						
8	Evaporator Drain Pipe		3A0143-01	1	1						
9	Condenser		2A0261-01	1	1						
10	Condenser Fan Bracket		3A1564-01	1	1						
11	Condenser Fan Motor (includes mounting screws)		4A0408-01	1	1						
12	Condenser Fan Blade		3A0436-01	1	1						
12a	Hex Nut		4A1345-01	1	1						
13	Condenser Air Filter		3A0277-02	1	1						
14	Evaporator Fan Shroud		1A1274-03	1	1						
15	Evaporator Fan Blade		3A0436-01	1	1						
15a	Hex Nut		4A1345-01	1	1						
16	Evaporator Fan Motor (includes fan motor bracket)		4A0411-01	1	1						
17	Evaporator Drain Pan		2A0200-02	1	-						
			2A0200-03		1						
18	Condensate Coil Strap		3A0413-03	1	1						
19	Overflow Drain Fitting w/Nut		4A2182-01	1	-						
20	Rubber Gasket		413854-03	1	-						
21	Silicone Hose	L=350 mm	773013812	1	-						
22	Elbow		4A0711-01	1	-						
23	Condensate Coil		2A1856-01	1	1						
24	Clogged Filter Thermostat		4A0484-01	1	1						
25	Drier		4A0924-01	1	1						
26	High-Pressure Switch		4A2516-02	1	1						
27	Evaporator		2A1382-01	1	1						
28	Defrost Thermistor Clip		320418-01	1	1						
29	Defrost Thermistor	L=2300 mm	4A1428-01	1	1						
30	Thermostatic Expansion Valve		4A1711-01	1	1						
31	Thermostatic Expansion Valve Cover		4A4646-01	1	1						
32	Thermostatic Expansion Valve Bulb Holder		3A0107-01	1	1						
33	Clamp		443461-01	1	1						

C. Control Box Assembly

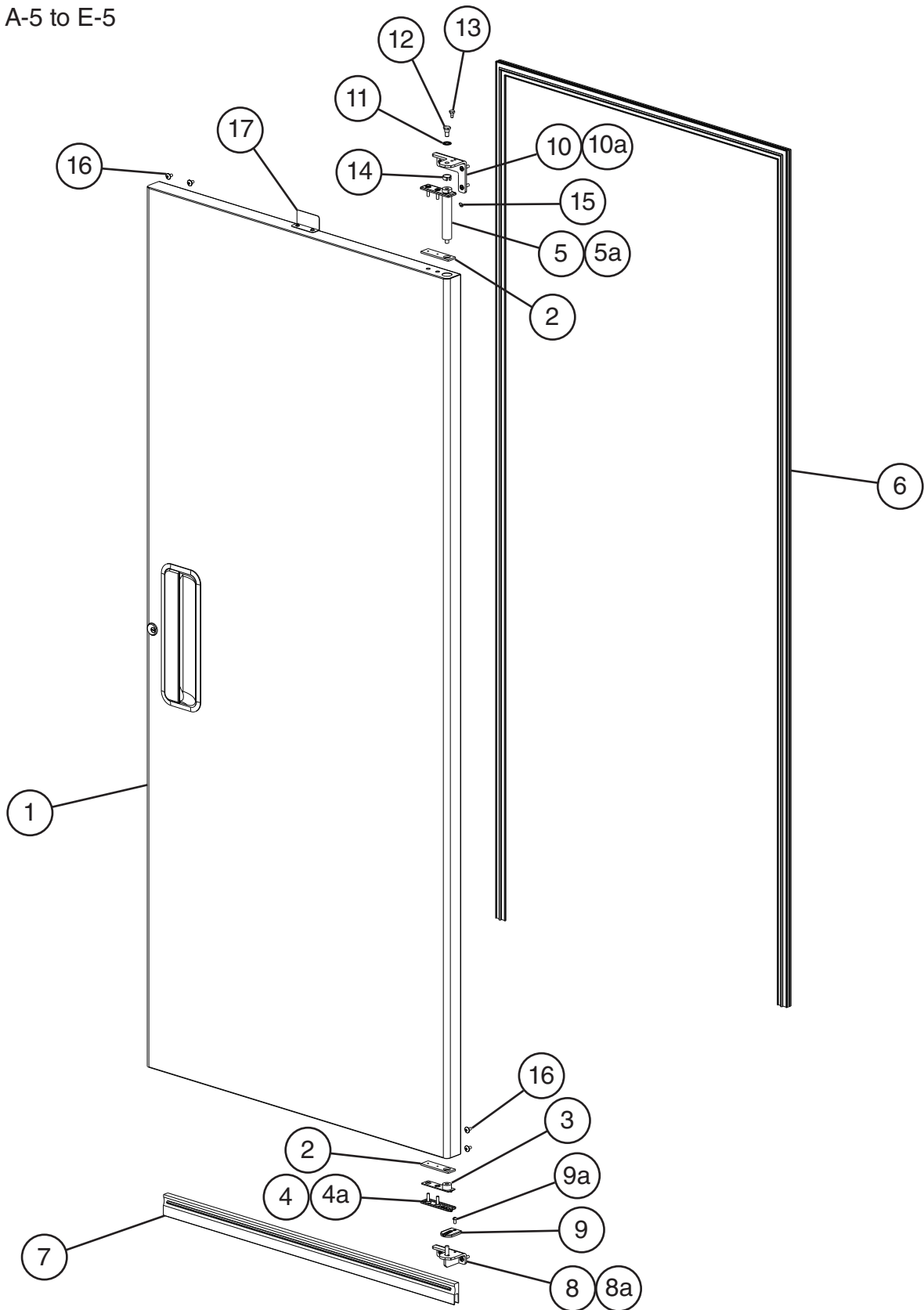
RIR2-SSB

A-5 to E-5



Title: C. Control Box Assembly		Model: RIR2-SSB		Required Number									
Index No.	Description	Material or Model Number	Part Number	A-5 to C-5 (B)	C-5 (C) to E-5								
1	Start Relay		4A1709-01	1	1								
2	Start Capacitor		3A1142-01	1	1								
3	Power Supply Cord		4A0520-01	1	1								
4	Control Board		2A2862-24	1	1								
4a	Control Board Support		4A0336-03	6	6								
5	Compressor Relay		4A1307-01	1	-								
			4A3140-01		1								
6	Control Transformer		3A1759-01	1	1								
7	Power Switch		4A0424-01	1	1								
8	Perimeter Heater Switch		4A0418-01	1	1								

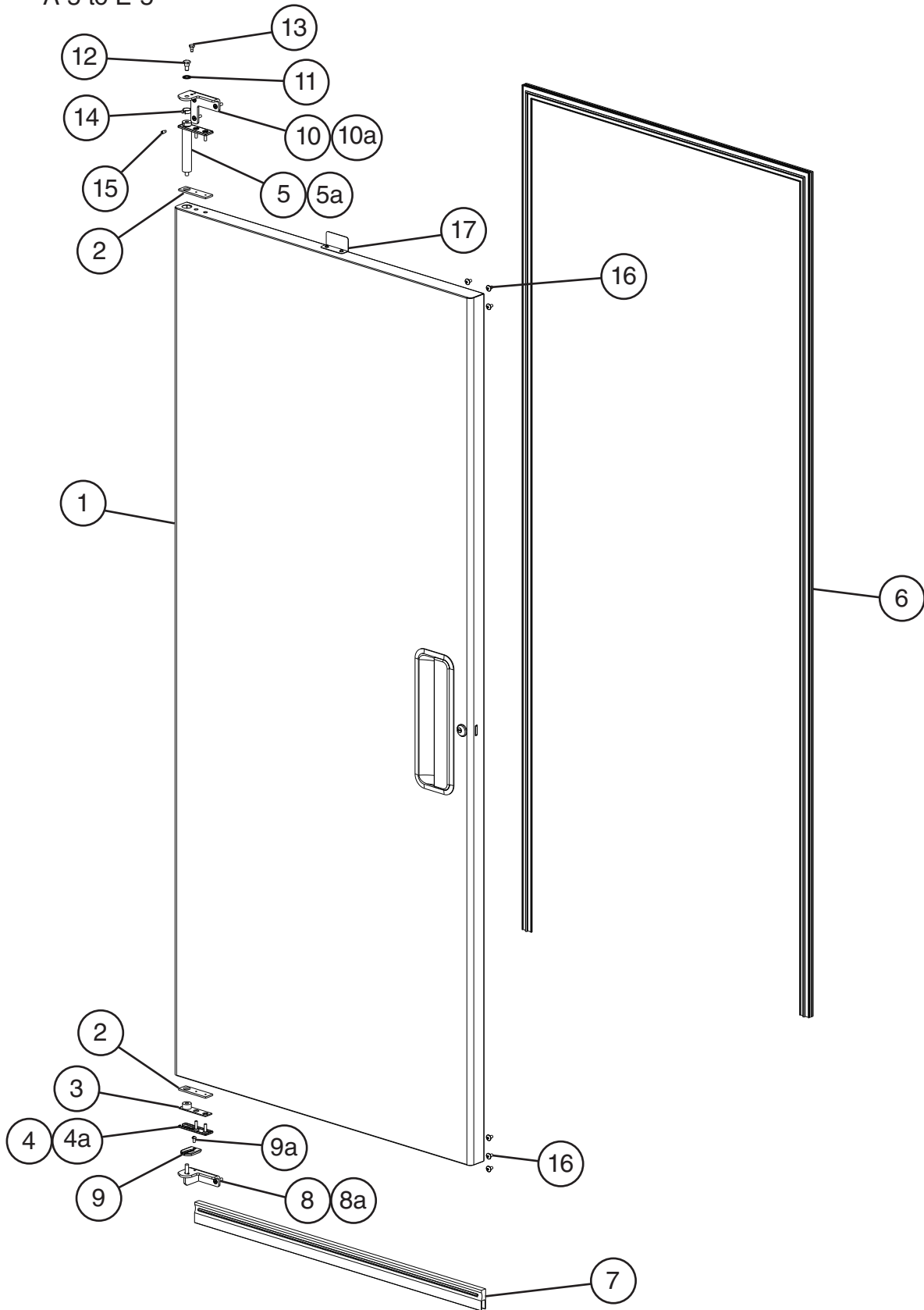
D. Door-Right Hinged
Full Solid: RIR2-SSB
A-5 to E-5



Title: D. Door-Right Hinged Model: Full Solid: RIR2-SSB												
Index No.	Description	Material or Model Number	Part Number	A-5 to E-5	Required Number							
1	Door Assembly (includes items 2 through 7)		1A1624G01	1								
2	Foam Pad		4A2257-01	2								
3	Right Hinge Bottom Bushing		4A0439-01	1								
4	Right Male Hinge Bottom Plate		4A0440-01	1								
4a	Countersunk Screw	5x20, SS	7C42-0520	2								
5	Right Hinge Spring Cartridge		4A0438-01	1								
5a	Countersunk Screw	5x20, SS	7C42-0520	2								
6	Door Gasket		2A4482-01	1								
7	Sweep Gasket		3A4704-01	1								
8	Lower Right (LR) Door Hinge Bracket		3A5132G01	1								
8a	Countersunk Screw	5x20, SS	7C42-0520	2								
9	Right Female Hinge Bottom Plate		4A0441-01	1								
9a	Stop Plate Screw		4A0483-01	1								
10	Upper Right (UR) Door Hinge Bracket		3A1580-01	1								
10a	Countersunk Screw	5x20, SS	7C42-0520	3								
11	Hinge Lock Washer		4A0553-01	1								
12	Hinge Pivot Pin		4A2179-01	1								
13	Hinge Stop Pin		4A2180-01	1								
14	Hinge Bushing Cover		4A0445-01	1								
15	Hinge Tension Screw		4A0446-01	1								
16	Truss Head Screw (fill screws)	5x10, SS	7C32-0510	9								
17	Door Switch Bracket		4A4430-01	1								

E. Door-Left Hinged Full Solid: RIR2-SSB

A-5 to E-5



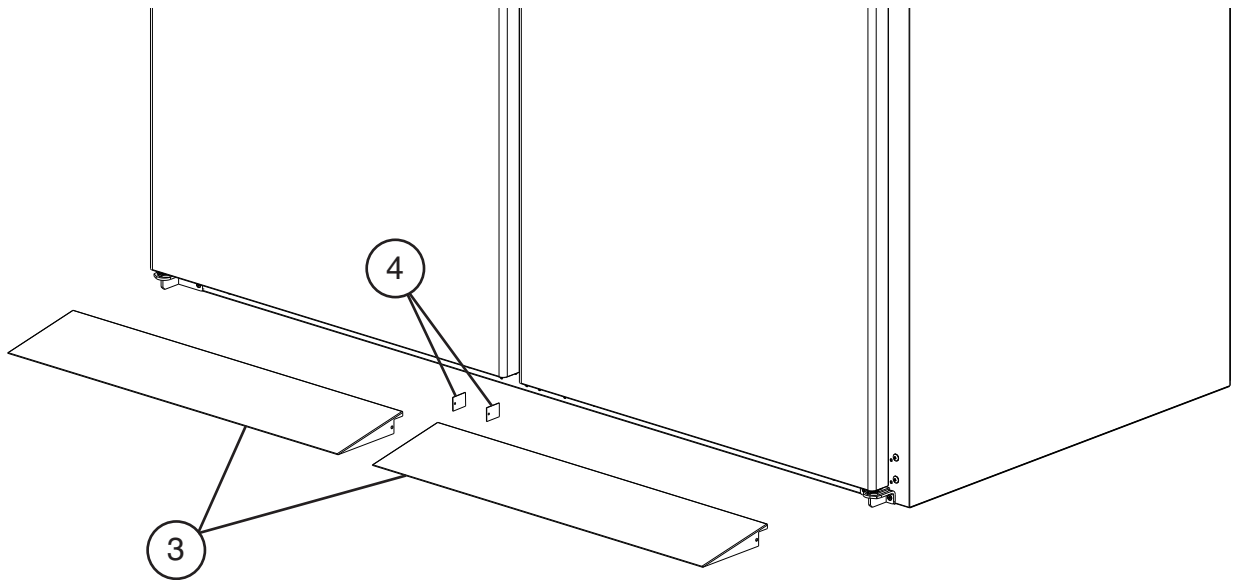
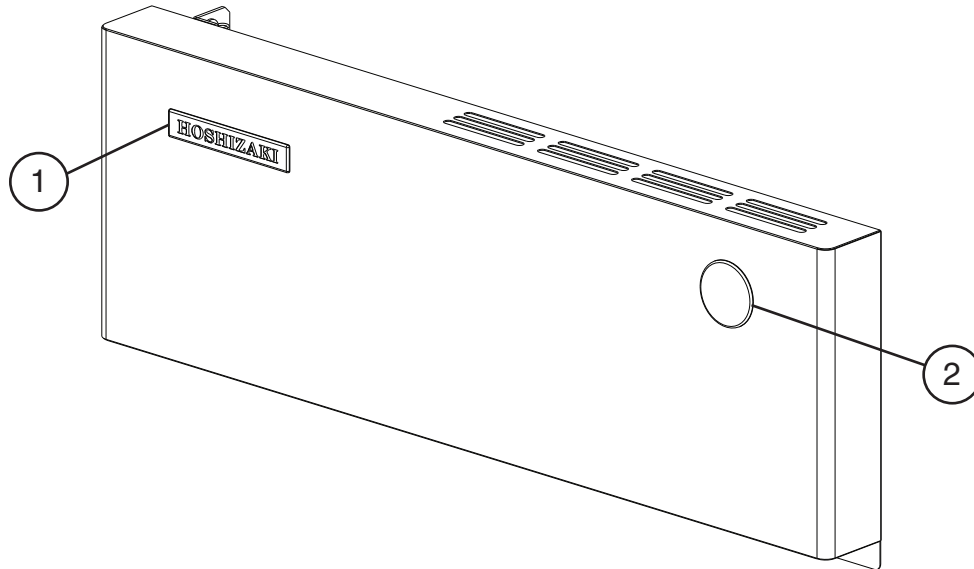
Title: E. Door-Left Hinged Model: Full Solid: RIR2-SSB

Index No.	Description	Material or Model Number	Part Number	Required Number									
				A-5 to E-5									
1	Door Assembly (includes items 12 through 17)		1A1626G01	1									
2	Foam Pad		4A2257-01	2									
3	Left Hinge Bottom Bushing		4A0439-02	1									
4	Left Male Hinge Bottom Plate		4A0440-02	1									
4a	Countersunk Screw	5x20, SS	7C42-0520	2									
5	Left Hinge Spring Cartridge		4A0438-02	1									
5a	Countersunk Screw	5x20, SS	7C42-0520	2									
6	Door Gasket		2A4482-01	1									
7	Sweep Gasket		3A4704-01	1									
8	Lower Left (LL) Door Hinge Bracket		3A5131G01	1									
8a	Countersunk Screw	5x20, SS	7C42-0520	2									
9	Left Female Hinge Bottom Plate		4A0441-02	1									
9a	Stop Plate Screw		4A0483-01	1									
10	Upper Left (UL) Door Hinge Bracket		3A1581-01	1									
10a	Countersunk Screw	5x20, SS	7C42-0520	3									
11	Hinge Lock Washer		4A0553-01	1									
12	Hinge Pivot Pin		4A2179-01	1									
13	Hinge Stop Pin		4A2180-01	1									
14	Hinge Bushing Cover		4A0445-01	1									
15	Hinge Tension Screw		4A0446-01	1									
16	Truss Head Screw (fill screws)	5x10, SS	7C32-0510	9									
17	Door Switch Bracket		4A4430-01	1									

F. Accessories & Labels

RIR2-SSB

A-5 to E-5



Title: F. Accessories & Labels Model: RIR2-SSB					Required Number								
Index No.	Description	Material or Model Number	Part Number	A-5 to E-5									
1	Emblem		4A0560-01	1									
2	Penguin Label		456246-02	1									
3	Ramp		2A4832-01	2									
4	Ramp Filler Bracket		4A4591-01	2									