



HOSHIZAKI

Parts List

Steelheart Series
Refrigerated Kitchen Equipment

Models
Refrigerated Equipment Stand

CR36A
CR49A
CR60A
CR72A
CR85A
CR98A
CR110A



hoshizakiamerica.com

Number: 71424
Issued: 12-20-2018
Revised: 4-25-2023

CONTENTS

| | |
|--|---|
| Auxiliary Codes..... | 3 |
| Note About Ordering Parts | 3 |
| A. Main Assembly & Refrigeration Circuit | 4 |
| B. Drawer Assembly..... | 7 |
| C. Accessories & Labels | 9 |

Auxiliary Codes

CR36A

H-6 November 2018
J-5 January 2019
J-6 October 2019
K-5 January 2020
K-7 September 2020
L-5 January 2021
L-6 October 2021
M-5 February 2022
N-5 January 2023
N-6 March 2023

CR49A

H-6 November 2018
J-5 January 2019
J-6 October 2019
K-5 January 2020
K-7 July 2020
L-5 January 2021
L-6 October 2021
M-5 January 2022
N-5 January 2023
N-6 March 2023

CR60A

H-6 December 2018
J-5 January 2019
J-6 September 2019
K-5 January 2020
K-7 July 2020
L-5 January 2021
L-6 September 2021
L-7 December 2021
M-5 January 2022
N-5 February 2023
N-6 March 2023

CR72A

H-6 October 2018
J-5 January 2019
J-6 October 2019
K-5 January 2020
K-7 July 2020
L-5 January 2021
L-6 October 2021
M-5 January 2022
N-5 January 2023
N-6 March 2023

CR85A

H-6 November 2018
J-5 January 2019
J-6 November 2019
K-5 January 2020
K-6 June 2020
K-7 July 2020
L-5 January 2021
L-6 October 2021
M-5 January 2022
N-5 February 2023
N-6 March 2023

CR98A

H-6 November 2018
J-5 January 2019
J-6 October 2019
K-5 January 2020
L-5 February 2021
L-6 October 2021
M-5 January 2022
N-6 March 2023

CR110A

J-5 January 2019
L-5 May 2021
L-6 September 2021
N-6 March 2023

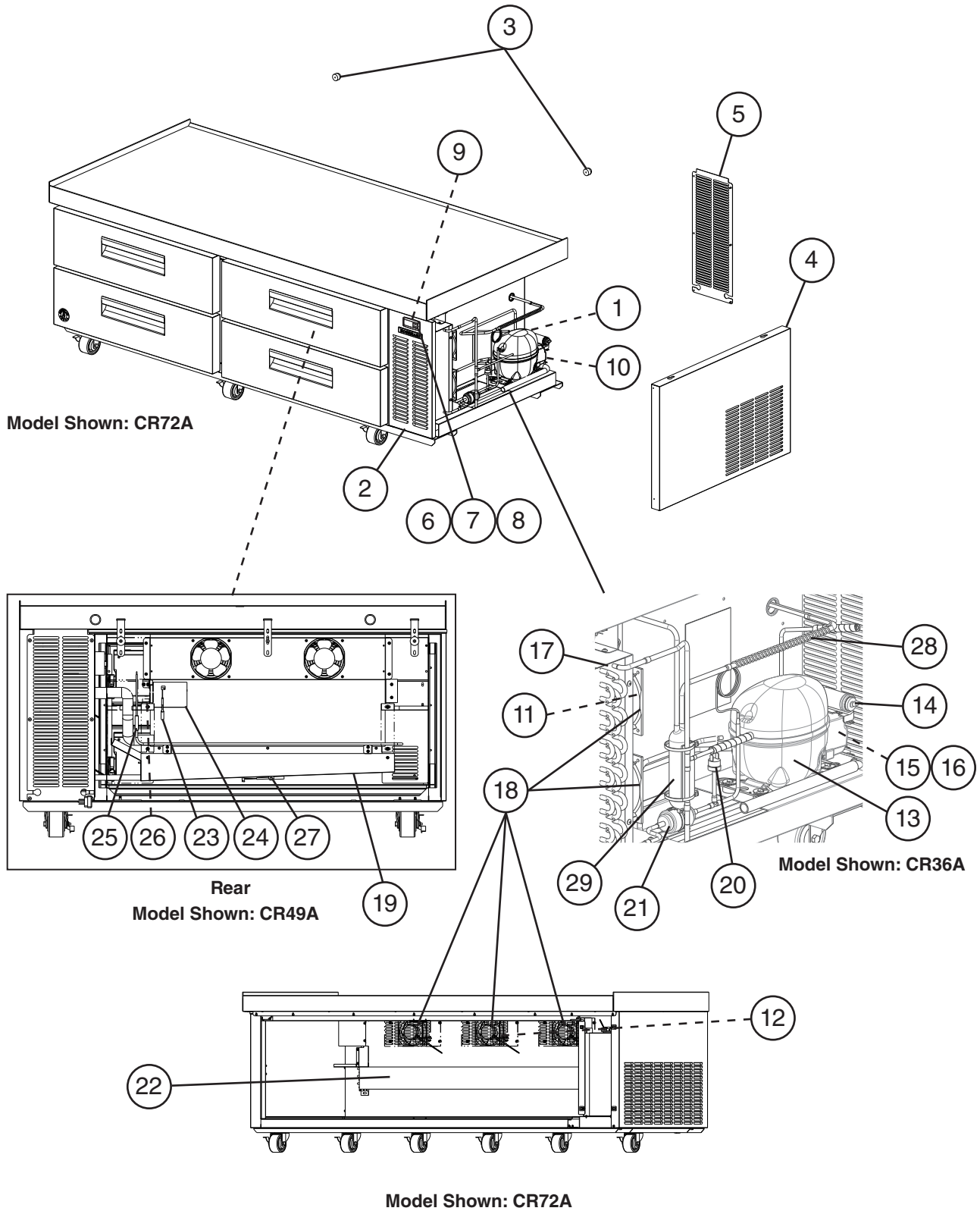
Auxiliary Code Breakdown

The auxiliary code is the first two characters in the serial number. The first character indicates the year. Years progress or regress in alphabetical order. The series runs from "A" through "V" and the letters "I" and "O" are skipped. The second character indicates significant part changes within a year. Base is "5" and this number advances for each change. In cases where there is a letter in parentheses, this designates the month. This is the last character in the serial number. The series runs from "(A)" through "(M)" and the letter "(I)" is skipped. This designation is only included when identifying a parts change within an auxiliary code.

Note About Ordering Parts

Most assemblies cannot be ordered as complete units; parts in the assemblies generally must be ordered separately.

A. Main Assembly & Refrigeration Circuit
CR36A, CR49A, CR60A, CR72A, CR85A, CR98A, CR110A
 H-6 to N-6

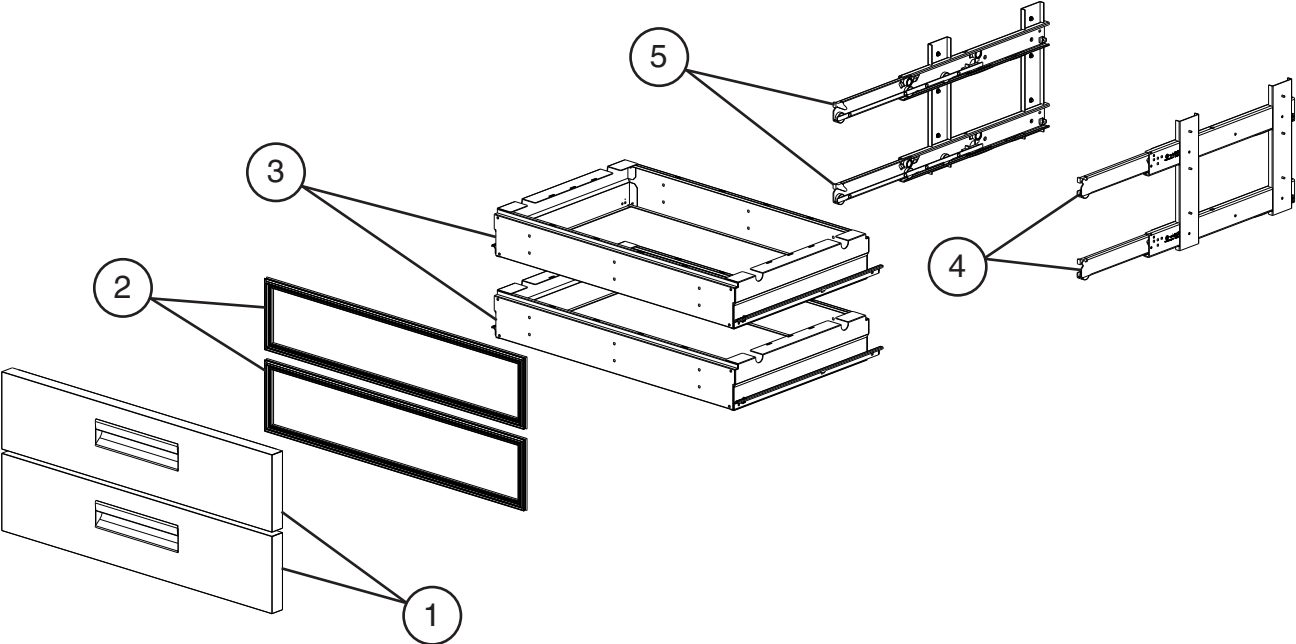


Title: A. Main Assembly & Refrigeration Circuit
Models: CR36A, CR49A, CR60A, CR72A, CR85A, CR98A, CR110A

| Index No. | Description | Material or Model Number | Part Number | Required Number | | | | | | |
|----------------------|------------------------|--|-------------|-----------------|---------------|------------------|------------|-----|--|--|
| | | | | H-5 to K-5 | K-7 to L-5(G) | L-5(H) to L-5(M) | L-6 to N-5 | N-6 | | |
| Main Assembly | | | | | | | | | | |
| 1 | Power Cord | | 4A5718-01 | 1 | 1 | 1 | 1 | 1 | | |
| 2 | Front Panel | CR36A, CR49A, CR60A, CR72A, CR85A, CR98A, CR110A | 2A8532-01 | 1 | 1 | - | | | | |
| | | | 2B0133-01 | | | 1 | 1 | 1 | | |
| 3 | Bumper | | 3A6696-01 | 2 | 2 | 2 | 2 | 2 | | |
| 4 | Right Side Panel | | 2A7682-01 | 1 | 1 | 1 | 1 | 1 | | |
| 5 | Rear Louver Panel | | 3A8279-01 | 1 | 1 | 1 | 1 | 1 | | |
| 6 | Control Module | CR36A, CR49A, CR60A, CR72A, CR85A, CR98A, CR110A | 4A5915G01 | 1 | 1 | - | | | | |
| | | | 4A7082-02 | | | 1 | 1 | 1 | | |
| 7 | Gasket | CR36A, CR49A, CR60A, CR72A, CR85A, CR98A, CR110A | 4A7127-01 | | | 1 | 1 | 1 | | |
| 8 | Retainer Clip | CCR36A, CR49A, CR60A, CR72A, CR85A, CR98A, CR110A | 4A5502-01 | 2 | 2 | - | | | | |
| | | | 4A7085-01 | | | 2 | 2 | 2 | | |
| 9 | Deflector | | 3B1541-01 | 1 | 1 | 1 | 1 | 1 | | |
| 10 | Wire Harness | CR36A, CR49A, CR60A, CR72A, CR85A, CR98A, CR110A | 4A6901-01 | | 1 | - | | | | |
| | Wire Harness | | 4A7108-01 | | | 1 | 1 | - | | |
| | | | 3B1337-01 | | | | | 1 | | |
| 11 | Condenser Fan Harness | | 4A6193-01 | | | | | 1 | | |
| 12 | Evaporator Fan Harness | CR36A | 4A6193-03 | | | | | 1 | | |
| | | CR49A, CR60A | 4A6193-07 | | | | | 1 | | |
| | | CR72A, CR85A, CR98A, CR110A | 4A6193-08 | | | | | 1 | | |

| Title: A. Main Assembly & Refrigeration Circuit | | | | | | | | | | | | |
|---|---|--|-------------|-----------------|---------------|------------------|------------|-----|---|--|--|--|
| Models: CR36A, CR49A, CR60A, CR72A, CR85A, CR98A, CR110A | | | | | | | | | | | | |
| Index No. | Description | Material or Model Number | Part Number | Required Number | | | | | | | | |
| | | | | H-5 to K-5 | K-7 to L-5(G) | L-5(H) to L-5(M) | L-6 to N-5 | N-6 | | | | |
| Refrigeration Circuit | | | | | | | | | | | | |
| 13 | Compressor (includes items 14 through 16) | | 3A9870-01 | 1 | 1 | 1 | 1 | 1 | | | | |
| 14 | Run Capacitor | 12MFD 250V | 3A9477-01 | 1 | 1 | 1 | 1 | 1 | | | | |
| 15 | Compressor Overload | | 3A9475-01 | 1 | 1 | 1 | 1 | 1 | | | | |
| 16 | PTC Start Relay (8EA14C3 - 115-127V -3Term) | | 3A9476-01 | 1 | 1 | 1 | 1 | 1 | | | | |
| 17 | Condenser | | 2A7544-01 | 1 | 1 | 1 | 1 | 1 | | | | |
| 18 | Evaporator/Condenser Fan Motor | CR36A | 4A5343-01 | 3 | 3 | 3 | 3 | - | | | | |
| | | CR49A, CR60A | | 4 | 4 | 4 | 4 | - | | | | |
| | | CR72A, CR85A CR98A, CR110A | | 5 | 5 | 5 | 5 | - | | | | |
| | | CR36A | 4A6192-01 | | | | | 3 | | | | |
| | | CR49A, CR60A | | | | | | 4 | | | | |
| | | CR72A, CR85A CR98A, CR110A | | | | | | 5 | | | | |
| 19 | Condensate Pan | | 2A7315-01 | 1 | 1 | 1 | 1 | 1 | | | | |
| 20 | High-Pressure Switch | | 4A6039-01 | 1 | 1 | 1 | 1 | 1 | | | | |
| 21 | Drier | | 4A1113-01 | 1 | 1 | 1 | 1 | 1 | | | | |
| 22 | Evaporator | CR36A | 2A8513-01 | 1 | 1 | 1 | 1 | 1 | | | | |
| | | CR49A CR60A | 2A8513-02 | 1 | 1 | 1 | 1 | 1 | | | | |
| | | CR72A CR85A CR98A CR110A | 2A8513-04 | 1 | 1 | 1 | 1 | 1 | | | | |
| | | | | | | | | | | | | |
| 23 | Defrost Thermistor | CR36A, CR72A, CR85A, CR98A, CR110A | 4A4865-03 | 1 | 1 | - | | | | | | |
| | | | 4A7083-02 | | | 1 | 1 | 1 | | | | |
| | | CR49A, CR60A | 4A4865-03 | 1 | 1 | 1 | - | | | | | |
| | | | 4A7083-02 | | | | | 1 | 1 | | | |
| 24 | Defrost Thermistor Access Panel | | 4A5829-01 | 1 | 1 | 1 | 1 | 1 | | | | |
| 25 | Defrost Heater | CR36A | 3A6443-05 | 1 | 1 | 1 | 1 | 1 | | | | |
| | | CR49A CR60A | 3A6443-04 | 1 | 1 | 1 | 1 | 1 | | | | |
| | | CR72A CR85A CR98A CR110A | 3A6443-07 | 1 | 1 | 1 | 1 | 1 | | | | |
| 26 | Defrost Safety Thermostat | | 4A6194-01 | 1 | 1 | 1 | 1 | 1 | | | | |
| 27 | Cabinet Thermistor | CR36A, CR72A, CR85A, CR98A, CR110A | 4A4864-02 | 1 | 1 | - | | | | | | |
| | | | 4A7084-02 | | | 1 | 1 | 1 | | | | |
| | | CR49A, CR60A | 4A4864-02 | 1 | 1 | 1 | - | | | | | |
| | | | 4A7084-02 | | | | | 1 | 1 | | | |
| 28 | Heat Exchanger | | 3A8623G01 | 1 | 1 | 1 | 1 | 1 | | | | |
| 29 | Accumulator | CR36A | 4A6455-01 | 1 | 1 | 1 | 1 | 1 | | | | |

B. Drawer Assembly
CR36A, CR49A, CR60A, CR72A, CR85A, CR98A, CR110A
H-6 to N-6



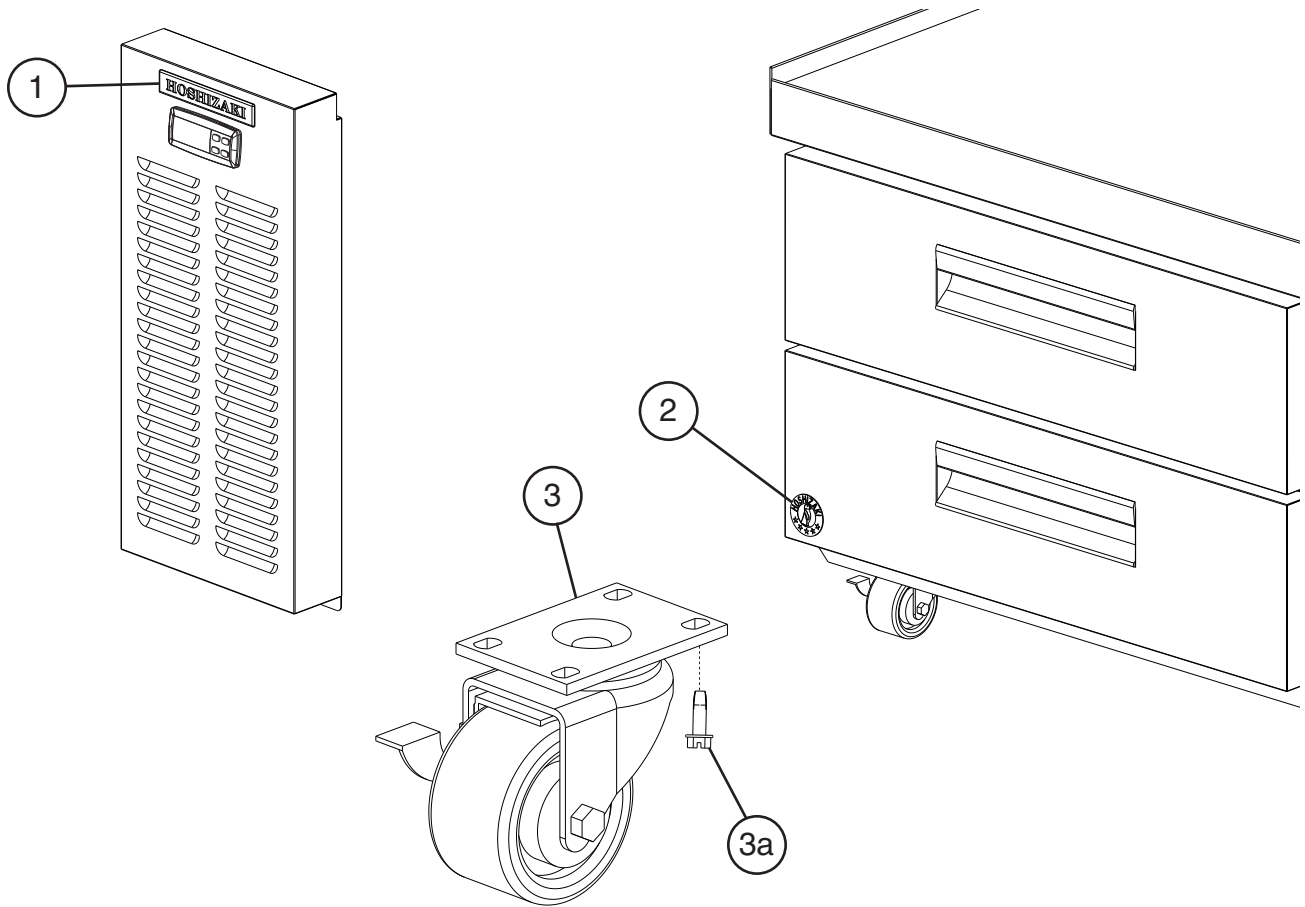
Title: B. Drawer Assembly Models: CR36A, CR49A, CR60A, CR72A, CR85A, CR98A, CR110A

| Index No. | Description | Material or Model Number | Part Number | H-6 to N-6 | Required Number Per Section | | | | | | | | |
|-----------|-------------------------------|---|-------------|------------|-----------------------------|--|--|--|--|--|--|--|--|
| | | | | | | | | | | | | | |
| 1 | Drawer Face (includes item 2) | CR36A | 2A7723G01 | 2 | | | | | | | | | |
| | | CR49A CR60A | 2A7420G01 | 2 | | | | | | | | | |
| | | CR72A | 2A7369G01 | 4 | | | | | | | | | |
| | | CR85A (Left) | 2A7651G01 | 2 | | | | | | | | | |
| | | CR85A (Right) | 2A7369G01 | 2 | | | | | | | | | |
| | | CR98A CR110A | 2A7651G01 | 4 | | | | | | | | | |
| 2 | Gasket | CR36A | 2A5192-21 | 2 | | | | | | | | | |
| | | CR49A CR60A | 2A5192-19 | 2 | | | | | | | | | |
| | | CR72A | 2A5192-18 | 4 | | | | | | | | | |
| | | CR85A (Left) | 2A5192-20 | 2 | | | | | | | | | |
| | | CR85A (Right) | 2A5192-18 | 2 | | | | | | | | | |
| | | CR98A CR110A | 2A5192-20 | 4 | | | | | | | | | |
| 3 | Drawer Box | CR36A | 2A7728G01 | 2 | | | | | | | | | |
| | | CR49A CR60A | 2A7417G01 | 2 | | | | | | | | | |
| | | CR72A | 2A7372G01 | 4 | | | | | | | | | |
| | | CR85A (Left) | 2A7650G01 | 2 | | | | | | | | | |
| | | CR85A (Right) | 2A7372G01 | 2 | | | | | | | | | |
| | | CR98A CR110A | 2A7650G01 | 4 | | | | | | | | | |
| 4 | Right Side Roller | CR36A CR49A CR60A | 4A5739-02 | 2 | | | | | | | | | |
| | | CR72A CR85A CR98A CR110A | | 4 | | | | | | | | | |
| 5 | Left Side Roller | CR36A CR49A CR60A | 4A5739-05 | 2 | | | | | | | | | |
| | | CR72A CR85A CR98A CR110A | | 4 | | | | | | | | | |

C. Accessories & Labels

CR36A, CR49A, CR60A, CR72A, CR85A, CR98A, CR110A

H-6 to N-6



| Title: C. Accessories & Labels Models: CR36A, CR49A, CR60A, CR72A, CR85A, CR98A, CR110A | | | | | Required Number | | | | | | | | | | | |
|--|------------------------|--------------------------|-------------|------------|-----------------|--|--|--|--|--|--|--|--|--|--|--|
| Index No. | Description | Material or Model Number | Part Number | H-6 to N-6 | | | | | | | | | | | | |
| 1 | Hoshizaki Emblem Label | | 4A0560-01 | 1 | | | | | | | | | | | | |
| 2 | Penguin Label | | 475552L02 | 1 | | | | | | | | | | | | |
| 3 | 4" Locking Caster | CR36A CR49A CR60A | 4A4275-01 | 4 | | | | | | | | | | | | |
| | | CR72A CR85A | | 6 | | | | | | | | | | | | |
| | | CR98A CR110A | | 8 | | | | | | | | | | | | |
| 3a | Hex Bolt | CR36A CR49A CR60A | 4A5213-01 | 16 | | | | | | | | | | | | |
| | | CR72A CR85A | | 24 | | | | | | | | | | | | |
| | | CR98A CR110A | | 32 | | | | | | | | | | | | |