



HOSHIZAKI

Parts List

Steelheart Series
Refrigerated Kitchen Equipment

Models
RNIA-FS, RN2A-FS
RTIA-FS-FS, RT2A-FS-FS



hoshizakiamerica.com

Number: 71436
Issued: 1-8-2020
Revised: 7-30-2024

CONTENTS

Auxiliary Codes.....	3
Note About Ordering Parts	3
A. Main Assembly	4
RN1A-FS and RT1A-FS-FS	4
RN2A-FS and RT2A-FS-FS	6
B. Refrigeration Circuit.....	8
C. Door-Full Solid	11
Right Hinged	11
Left Hinged	12
D. Accessories & Labels	14

Auxiliary Codes

RN1A-FS

J-5 September 2019
K-5 August 2020
L-5 January 2021
M-5 April 2022
N-5 March 2023
N-6 September 2023
P-5 April 2024
P-6 September 2024

RN2A-FS

J-5 October 2019
K-5 August 2020
L-5 January 2021
M-5 March 2022
N-5 February 2023
N-6 August 2023
P-5 January 2024
P-6 TBD 2024

RT1A-FS-FS

J-5 September 2019
L-5 February 2021
M-5 June 2022
N-5 January 2023
N-6 August 2023
P-5 February 2024
P-6 September 2024

RT2A-FS-FS

J-5 October 2019
M-5 May 2022
N-5 February 2023
P-5 April 2024
P-6 TBD 2024

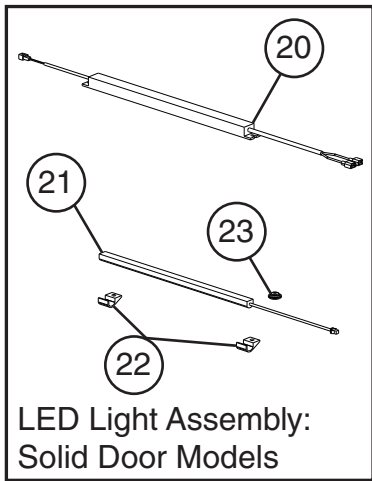
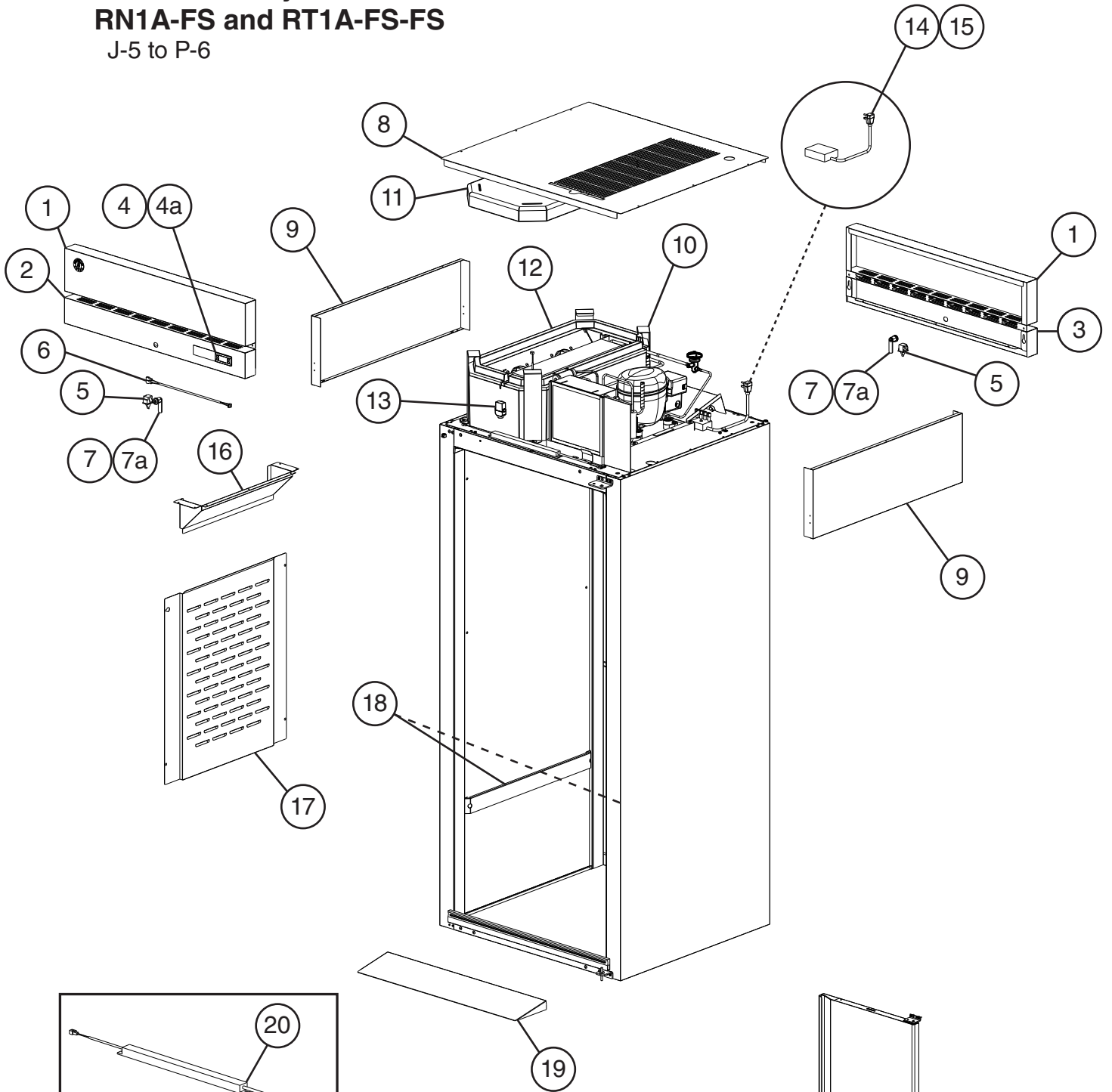
Auxiliary Code Breakdown

The auxiliary code is the first two characters in the serial number. The first character indicates the year. Years progress or regress in alphabetical order. The series runs from "A" through "V" and the letters "I" and "O" are skipped. The second character indicates significant part changes within a year. Base is "5" and this number advances for each change. In cases where there is a letter in parentheses, this designates the month. This is the last character in the serial number. The series runs from "(A)" through "(M)" and the letter "(I)" is skipped. This designation is only included when identifying a parts change within an auxiliary code.

Note About Ordering Parts

Most assemblies cannot be ordered as complete units; parts in the assemblies generally must be ordered separately.

A. Main Assembly
RN1A-FS and RT1A-FS-FS
 J-5 to P-6

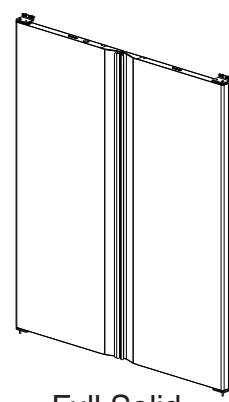
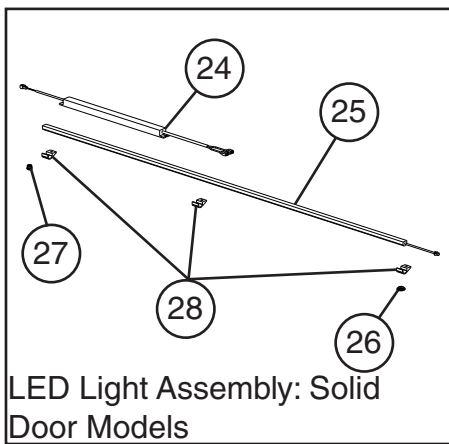
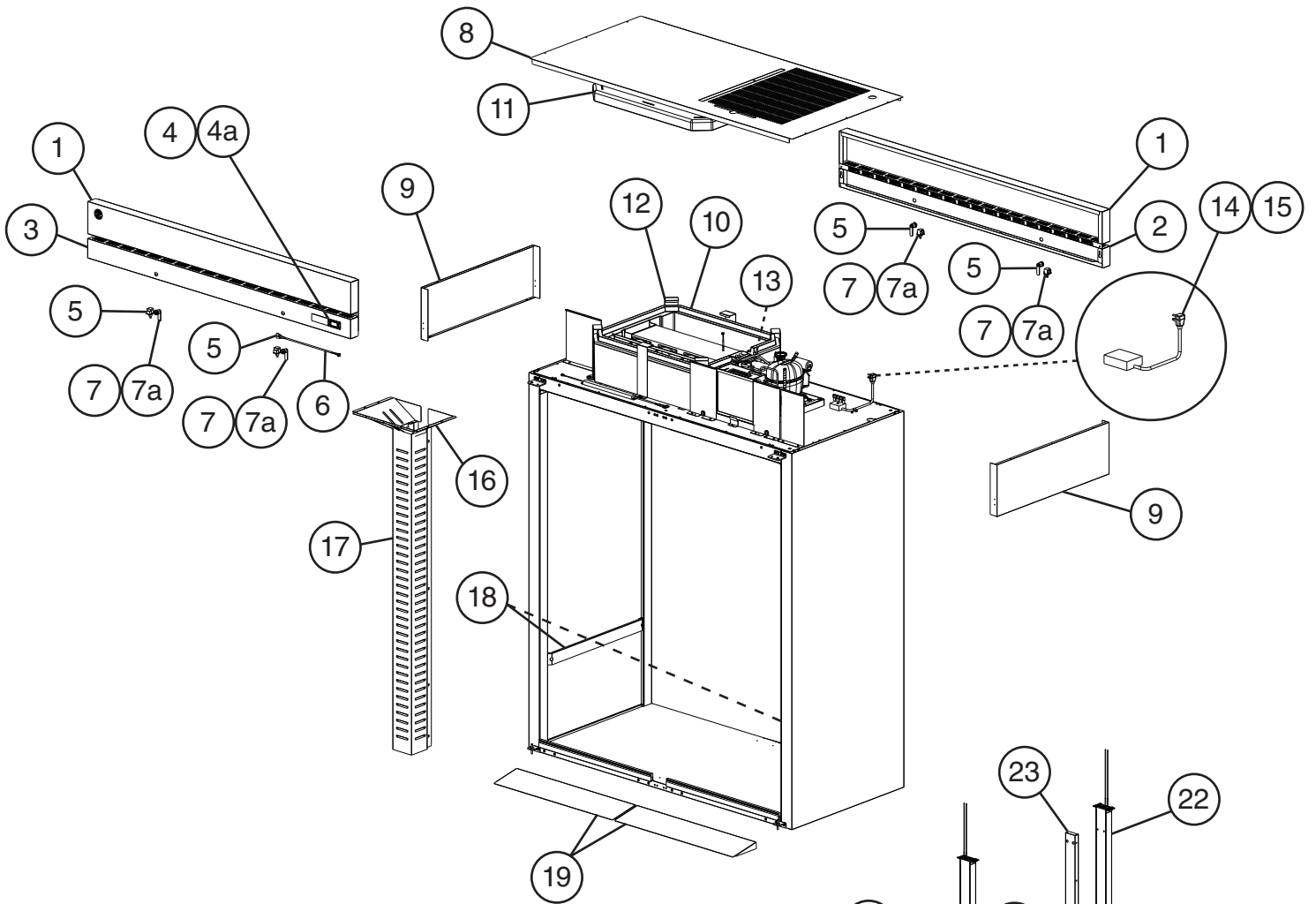


Full Solid
 For Doors, see Section "C"

Title: A. Main Assembly Model: RN1A-FS and RT1A-FS-FS

Index No.	Description	Material or Model Number	Part Number	Required Number																
				J-5 to P-6																
1	Upper Panel	RN1A-FS	3B0170A01	1																
		RT1A-FS-FS		2																
2	Lower Control Panel		2A9083-01	1																
3	Lower Panel	RT1A-FS-FS	2A9083-02	1																
4	Control Module		4A6195G01	1																
4a	Control Module Mounting Clip		4A5502-01	2																
5	Door Switch	RN1A-FS	3A1826-01	1																
		RT1A-FS-FS		2																
6	Door Switch Wire Harness		4A6203-01	1																
7	Lock (includes item 7a)	RN1A-FS	4A4924-01	1																
		RT1A-FS-FS		2																
7a	Key (includes 2 keys)	RN1A-FS	4A5453-01	1																
		RT1A-FS-FS		2																
8	Top Louver		2A9082-01	1																
9	Side Panel		2A9036-01	2																
10	Evaporator Case		1A4781-01	1																
11	Evaporator Cover		1A4782-01	1																
12	Evaporator Case Latch		3A9802-01	4																
13	Pressure Relief Valve		4A5694-01	1																
14	Power Supply Cord/ Wire Harness		3A9838-01	1																
15	Connector Cap		4A6229-01	4																
16	Air Distribution Top		1A3951-01	1																
17	Air Distribution Panel		1A4930-01	1																
18	Rack Guide		3B0226-01	2																
19	Food Cart Ramp	RN1A-FS	3B0614G01	1																
		RT1A-FS-FS		2																
20	LED Driver		3A9867-01	1																
21	LED Lamp		3A9788-01	1																
22	LED Clip		4A5906-01	2																
23	LED Bushing		425307-02	1																

A. Main Assembly
RN2A-FS and RT2A-FS-FS
 J-5 to P-6

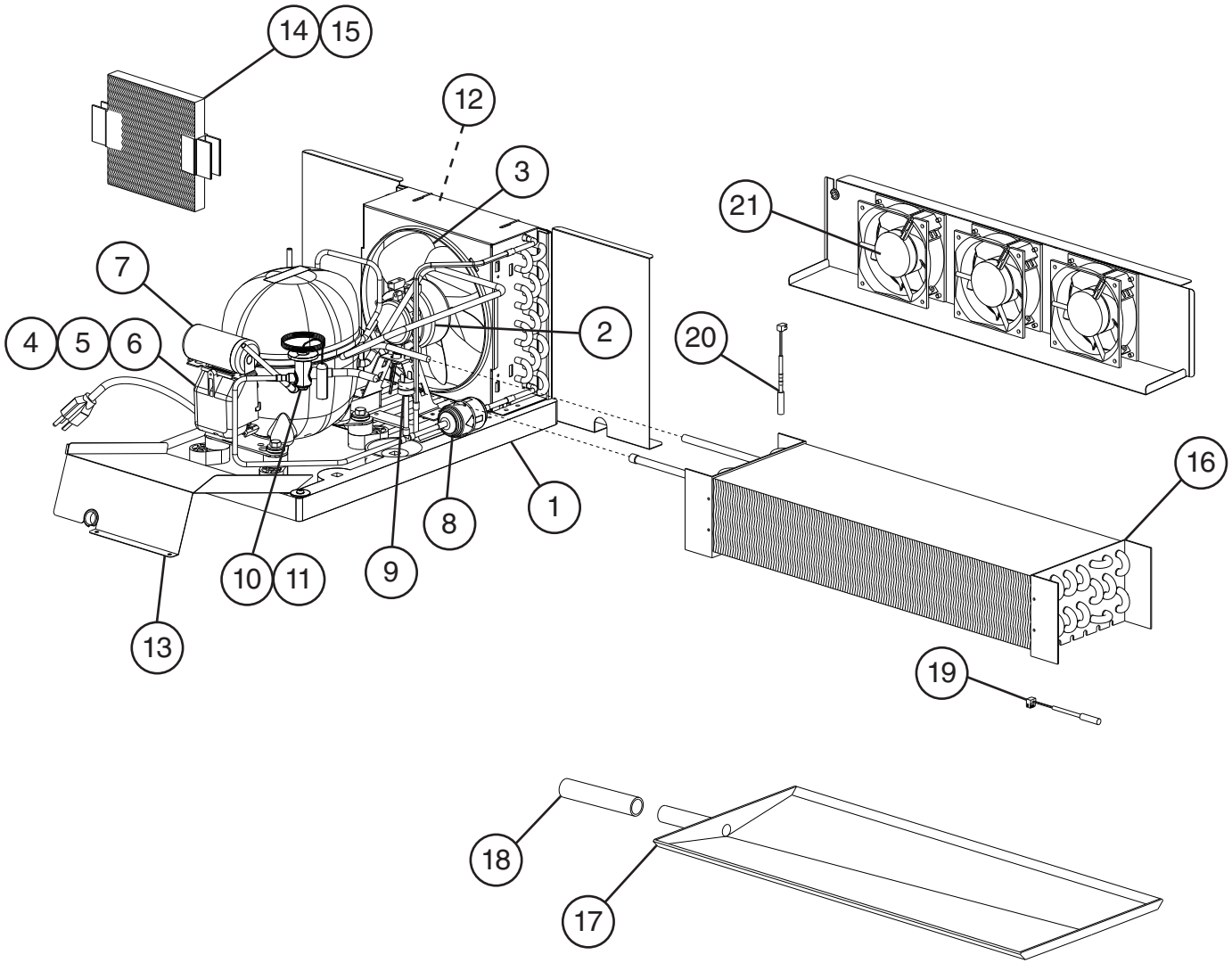


For Doors, see Sections "D"

Title: A. Main Assembly Model: RN2A-FS and RT2A-FS-FS

Index No.	Description	Material or Model Number	Part Number	Required Number									
				J-5 to P-6									
1	Upper Panel	RN2A-FS	3B0117A01	1									
		RT2A-FS-FS		2									
2	Lower Control Panel		2A9037-01	1									
3	Lower Panel	RT2A-FS-FS	2A9037-02	1									
4	Control Module		4A6195G01	1									
4a	Control Module Mounting Clip		4A5502-01	2									
5	Door Switch	RN2A-FS	3A1826-01	2									
		RT2A-FS-FS		4									
6	Door Switch Wire Harness		4A6203-01	1									
7	Lock (includes item 7a)	RN2A-FS	4A4924-01	2									
		RT2A-FS-FS		4									
7a	Key (includes 2 keys)	RN2A-FS	4A5453-01	2									
		RT2A-FS-FS		4									
8	Top Louver		2A9034-01	1									
9	Side Panel		2A9036-01	2									
10	Evaporator Case		1A4829-01	1									
11	Evaporator Cover		1A4828-01	1									
12	Evaporator Case Latch		3A9802-01	6									
13	Pressure Relief Valve		4A5694-01	1									
14	Power Supply Cord/ Wire Harness		3A9838-01	1									
15	Connector Cap		4A6229-01	4									
16	Air Distribution Top		1A5888-01	1									
17	Air Distribution Channel		1A5676-01	1									
18	Rack Guide		3B0226-01	2									
19	Food Cart Ramp	RN2A-FS	3B0614G01	2									
		RT2A-FS-FS		4									
20	Mullion Rack Guide		3B0362-01	2									
21	Front Vertical Mullion		2A8987A01	1									
22	Rear Vertical Mullion	RT2A-FS-FS	2A8996A01	1									
23	Air Channel Bracket		2A9167-01	1									
24	LED Driver		3A9867-01	1									
25	LED Lamp		3A9868-01	1									
26	Bushing		425307-02	1									
27	Hole Plug		4A0586-10	1									
28	LED Clip		4A5906-01	3									

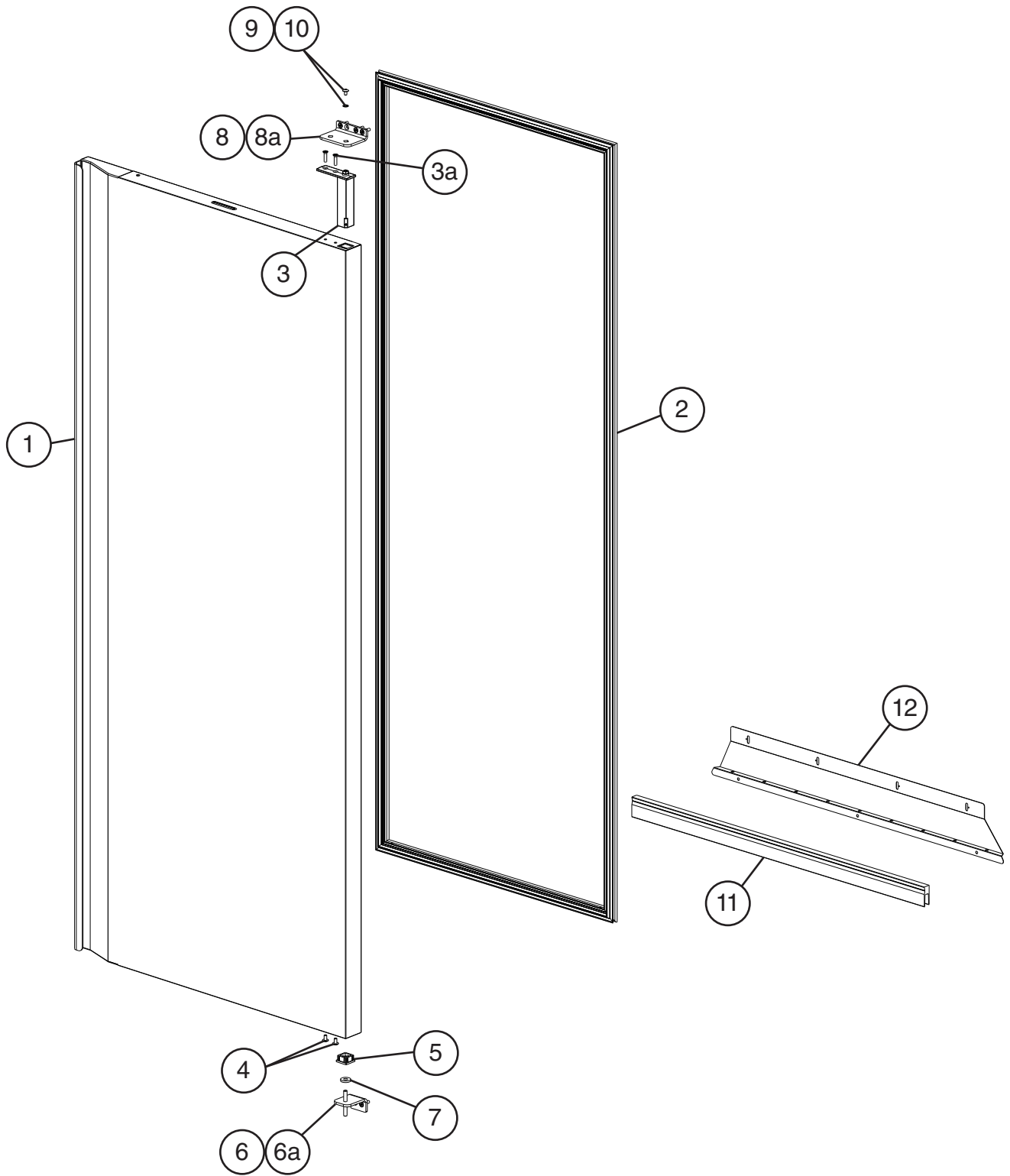
B. Refrigeration Circuit
RN_A-FS and RT_A-FS-FS
J-5 to P-6



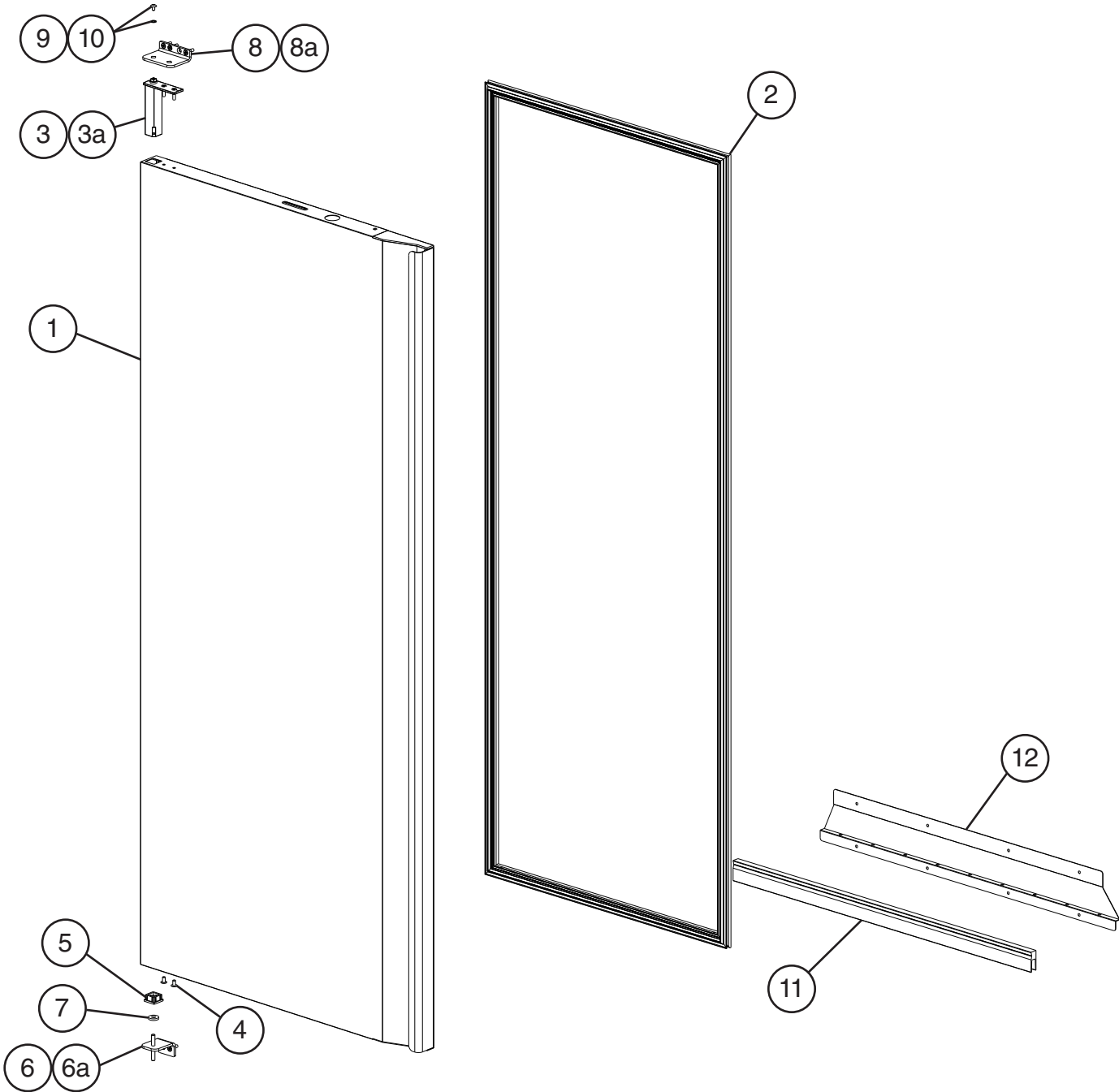
Title: B. Refrigeration Circuit Model: RN_A-FS and RT_A-FS-FS												
Index No.	Description	Material or Model Number	Part Number	Required Number								
				J-5 to L-5	N-5	N-6 to P-5	P-6					
1	Condensing Unit (includes compressor, condenser, and items 2 through 8, compressor and condenser are not sold individually)	RN1A-FS RT1A-FS-FS	2A8793-01	1	1	1	1					
		RN2A-FS RT2A-FS-FS	2A9343-01	1	1	1	1					
2	Condenser Fan Motor		4A6376-01	1	1	1	1					
3	Condenser Fan Blade		4A6377-01	1	1	1	1					
4	Compressor External Protector	RN1A-FS RT1A-FS-FS	4A6388-01	1	1	1	1					
		RN2A-FS RT2A-FS-FS	4A2989-01	1	1	1	1					
5	Start Relay	RN1A-FS RT1A-FS-FS	4A6384-01	1	1	1	1					
		RN2A-FS RT2A-FS-FS	4A6800-01	1	1	1	1					
6	Condensing Unit Power Supply Cord	RN1A-FS RT1A-FS-FS	4A6501-01	1	1	1	1					
		RN2A-FS RT2A-FS-FS	4A6801-01	1	1	1	1					
7	Start Capacitor	RN1A-FS RT1A-FS-FS	4A6379-01	1	1	1	1					
		RN2A-FS RT2A-FS-FS	4A6799-01	1	1	1	1					
8	Drier		4A1113-01	1	1	1	1					
9	High-Pressure Switch		4A6039-01	1	1	1	1					
10	Thermostatic Expansion Valve		4A6816-01	1	1	1	-					
			4A7211-01				1					
11	Thermostatic Expansion Valve Cover		4A6201-01	1	1	1	-					
			4A7233-01				1					
12	Air Filter		4A6189-01	1	1	1	1					
13	Deflector	RN1A-FS RT1A-FS-FS	2A9004-01	1	1	1	1					
14	Wick		4A6188-01	1	1	1	1					
15	Wick Retainer		4A6164-01	2	2	2	2					
16	Evaporator	RN1A-FS	2A8783-01	1	-							
		RT1A-FS-FS	2A9932-01		1	1	1					
		RN2A-FS	2A8631-01	1	-							
		RT2A-FS-FS	2B0024-01		1	1	1					
17	Evaporator Drain Pan	RN1A-FS RT1A-FS-FS	1A4805-01	1	1	1	1					
		RN2A-FS RT2A-FS-FS	1A4827-01	1	1	1	1					
18	Drain Hose	75 mm	7716-2025	1	1	1	1					

Title: B. Refrigeration Circuit Model: RN_A-FS and RT_A-FS-FS												
Index No.	Description	Material or Model Number	Part Number	Required Number								
				J-5 to L-5	N-5	N-6 to P-5	P-6					
19	Cabinet Thermistor		4A4864-02	1	1	1	1					
20	Defrost Thermistor		4A4865-02	1	1	1	1					
21	Evaporator Fan Motor	RN1A-FS RT1A-FS-FS	4A6192-01	2	2	2	2					
		RN2A-FS RT2A-FS-FS	4A5956-01	3	3	3	3					

**C. Door-Full Solid
Right Hinged
1/2**
J-5 to P-6



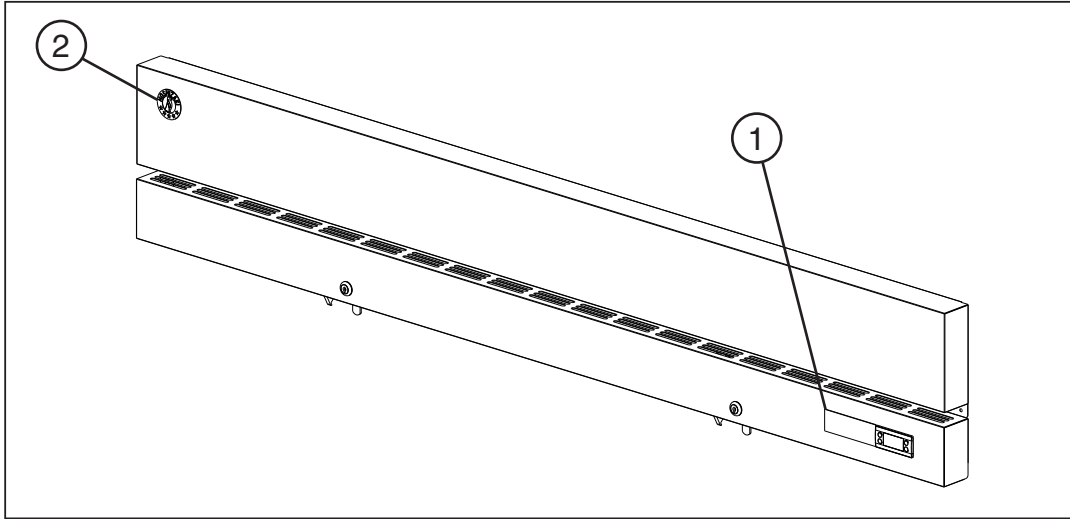
**C. Door-Full Solid
Left Hinged
2/2**
J-5 to P-6



Title: C. Door-Full Solid Model: Full Solid

Index No.	Description	Material or Model Number	Part Number	Required Number									
				J-5 to P-6									
1	Right Door Assembly (includes items 2 through 5)	RN1A-FS	1A5396G01	1									
		RN2A-FS											
	RT1A-FS-FS	2											
	RT2A-FS-FS												
	Left Door Assembly (includes items 2 through 5)	RN2A-FS	1A5397G01	1									
		RT2A-FS-FS		2									
2	Gasket		2A9005-01	1									
3	Spring Cartridge		3A9206-01	1									
3a	Spring Cartridge Screw	5x20, SS	7C42-0520	2									
4	Truss Head Screw (Filler Screw)	5x10, SS	7C32-0510	2									
5	Nylon Bearing		4A5232-01	1									
6	Lower Hinge Bracket		3B0215G01	1									
6a	Truss Head Screw	5x20, SS	7C42-0520	2									
7	Thrust Washer		4A5234-01	1									
8	Upper Hinge Bracket		3B0550-01	1									
8a	Truss Head Screw	5x20, SS	7C42-0520	3									
9	Upper Hinge Bracket Washer		4A5231-01	1									
10	Upper Hinge Bracket Screw		4A5230-01	1									
11	Door Sweep	RN1A-FS	3B0560-01	1									
		RN2A-FS		2									
		RT1A-FS-FS											
		RT2A-FS-FS		4									
12	Door Sweep Bracket	RN1A-FS	3B0380-01	1									
		RN2A-FS		2									
		RT1A-FS-FS											
		RT2A-FS-FS		4									

D. Accessories & Labels
RN_A-FS and RT_A-FS-FS
 J-5 to P-6



Title: D. Accessories & Labels Model: RN_A-FS and RT_A-FS-FS										
Index No.	Description	Material or Model Number	Part Number	Required Number						
				J-5 to P-6						
1	Hoshizaki Label		3B0043-01	1						
2	Penguin Label	RN1A-FS RT1A-FS-FS	475552L02	1						
		RN2A-FS RT2A-FS-FS		2						
3	Door Sweep Screws	10x1 1/8, SS	4A4993-04	3						